

EFL250

Operation Instructions Supplement

For "Reopenable" Fire And Smoke Dampers



APPLICATION

The EFL250 is a UL Classified heat responsive device which is used in conjunction with Ruskin fire/smoke dampers. The EFL250 is an optional device used in conjunction with a separate blade position switch package operates as a TS150 which can be ordered with electric actuators or pneumatic actuators and EP (electro/pneumatic) switches. The EFL250 allows the dampers to be reopened after the initial closure for dynamic smoke control. **The EFL250 must be installed at the factory and cannot be added in the field. Replacement EFL250's may be field installed with the approval of the local authority.**

SMOKE DETECTION/TEST/POWER FAILURE OPERATION

If smoke is detected, or during testing, or if power failure occurs, the damper will close and lock. When the smoke signal ceases (or smoke detector resets) , the test is complete or power is restored the SYSTEM will automatically REMOTE RESET the damper to the open position. The damper automatically resets if nuisance alarms occur and the SYSTEM is reset. The damper may be closed at any time by placing the MCP1 (optional) or other control switch (by others) in the CLOSED position.

FIRE OPERATION

When the switch of a control panel (MCP) is in the NORMAL position and temperatures in excess of 165°F/74°C (212°F/100°C optional) are detected, the damper will close and lock.

The damper remains closed until the override signal for smoke management from a remote command station is present and the duct temperature has not exceeded the high limit. The high limit temperature sensor prevents the damper from reopening when duct temperature is above the damper's UL555S degradation test temperature of 250°F/121°C or 350°F/177°C. Upon cessation of the fire condition, the damper can be reopened by pressing the RESET button on the EFL250 assembly. At no time will the damper disengage from the actuator.

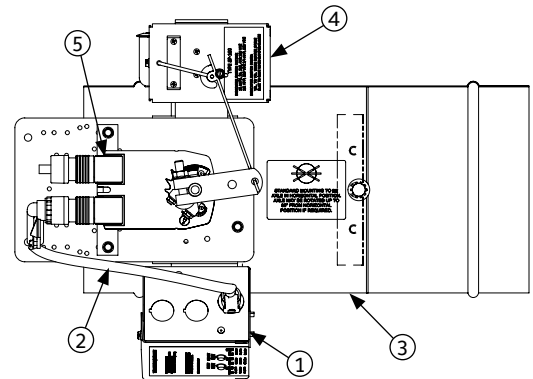
Refer to the appropriate damper installation instructions for details on damper installation. All electrical wiring and connections to the EFL250 must be in accordance with the standards of the authorities having jurisdiction.

AVAILABLE TEMPERATURE SETTINGS

Primary	Hi-Limit
165°F/74°C	250°F/121°C
165°F/74°C	350°F/177°C
212°F/100°C	250°F/121°C
212°F/100°C	350°F/177°C
250°F/121°C	350°F/177°C

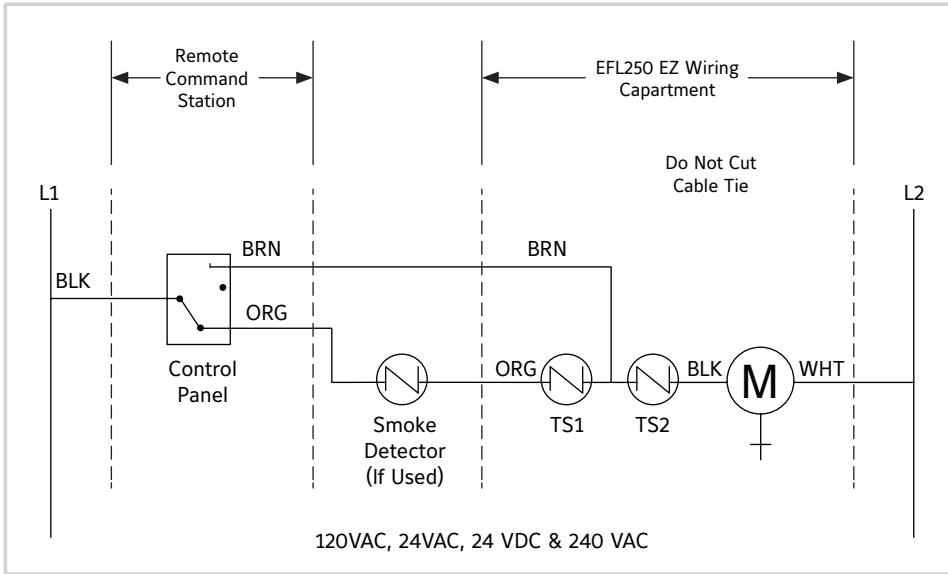


SEE COMPLETE MARKING ON PRODUCT



ITEM	DESCRIPTION
1	EFL250
2	Flex Conduit
3	Damper Frame
4	SP100 Optional
5	Actuator

WIRING DIAGRAM



DESCRIPTION
M – Electric Actuator or EP Switch
TS1 – Primary Temp. Sensor
TS2 – High Limit Temp. Sensor

i LINKS TO IMPORTANT DOCUMENTS

Document Title

Limited Warranty Document



3900 Doctor Greaves Road
Grandview, MO 64030
Website: www.ruskin.com
Phone: (816) 761-7476