



LEVEL & LEAK DETECTION

TAPE STYLE WATER DETECTOR WD-2-T

DESCRIPTION

The **Kele Model WD-2-T tape style water detector** uses a self-adhesive sensor tape with copper fiber electrodes and a durable netted cover for dependable detection of conductive liquids anywhere along the length of tape. The **Model WD-2-T** includes a tape integrity self-check feature, which activates a trouble output if the tape is unplugged, broken, or cut. Alarm relays may be independently jumpered to energize or de-energize upon water or trouble detection.

FEATURES

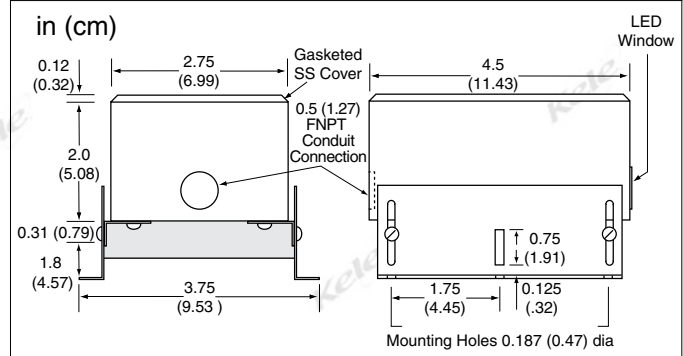
- **Weather resistant enclosure**
- **Designed to minimize external noise pickup**
- **SPDT alarm and trouble relay contacts**
- **Relay action jumper selectable**
- **Continuous tape integrity self-check**
- **Power/Alarm/Trouble status LED (green, red, green/red)**
- **Sensor tape lengths of 10 ft (3.1m), 25 ft (7.6m), 50 ft (15.2m), 100 ft (30.5m)**
- **Floor or under-pipe mounting**
- **Able to convert to two alarm relays**



WD-2



DIMENSIONS



10

OPERATION

The **Model WD-2-T** can be used with any contact-closure monitoring device, wiring to either the normally open or normally closed contacts for flexibility.

LEVEL & LEAK DETECTION

SPECIFICATIONS

Supply Voltage	11-27 VAC @ 2.4 VA; 11-27 VDC @ 60 mA	Dimensions	4.23"H x 3.75"W x 4.5"D (10.7 x 9.5 x 11.4 cm)
Relay Type	SPDT	Weight	
Relay Rating	1 A @ 24 VAC/VDC, 1/2 A @ 120 VAC	WD-2	0.98 lb (0.44 Kg) (without tape)
Sensor Electrodes	3 mil copper fiber, 1/4" gap	WD-2-T-10	1.8 lb (0.8 Kg)
Display	Green & Red LED	WD-2-T-25	2.2 lb (1.0 Kg)
Operating Temperature		WD-2-T-50	3.0 lb (1.4 Kg)
Detector	32° to 158°F (0° to 70°C)	WD-2-T-100	4.6 lb (2.1 Kg)
Tape	32° to 180°F (0° to 82°C)	Approvals	CE
Enclosure Rating	Cast aluminum, weather resistant; NEMA 4	Warranty	1 year

INSTALLATION

Floor Mounting

Mount the **Model WD-2-T** box adjacent to the area to be protected. Unroll the sensor tape, remove vinyl release layer from the back, and hand press onto a surface that is dry and free of all debris and dust.

Note 1: Once the sensor is activated (wet), the contacts will remain in alarm until the netted cover is completely dry.

Note 2: To convert the tape integrity check relay to a second alarm relay, remove the jumper in the lower right corner of the circuit board. If the sensing tape is not used, install the jumper labeled "NO TBL CHK."

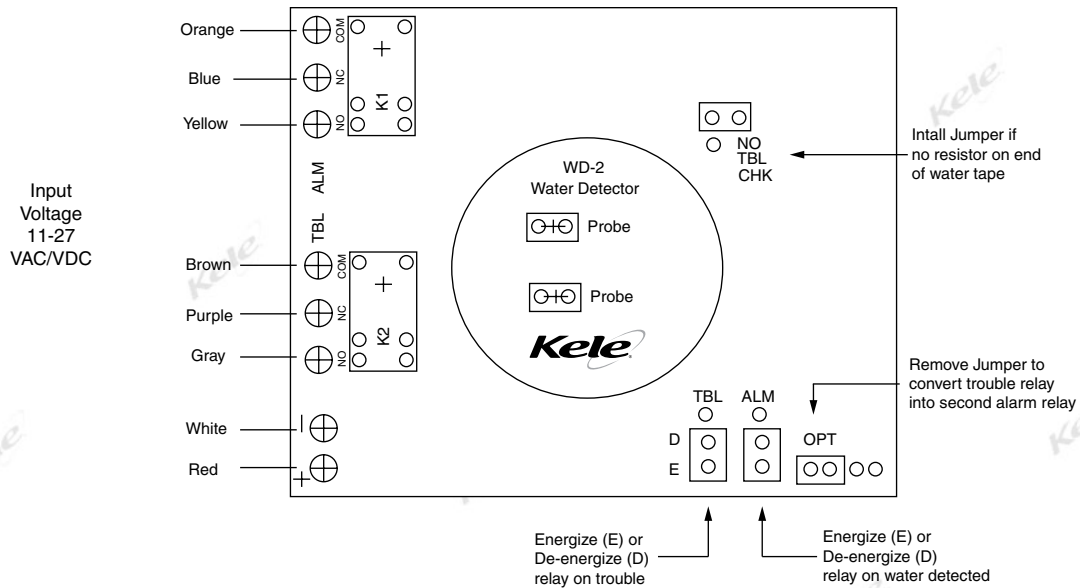
LEVEL & LEAK DETECTION

TAPE STYLE WATER DETECTOR WD-2-T



WIRING

The **Model WD-2-T** is provided with a 1/2" FNPT conduit connection in the end of the enclosure. Terminations are made using the color-coded wires with field-supplied connectors. All interconnect wiring should be 18 AWG or larger.



The **Model WD-2-T** tape includes a supervisory resistor mounted on the far end for the tape integrity self-check. A self-check disable jumper is provided inside for use with older or cut-down tapes that do not have the supervisory resistor.

STATUS INDICATOR

- **Green blink** Normal
- **Red blink** Water detected
- **Red/green alternating** Tape sensor problem

JUMPER POSITIONS

- **NO TBL CHK** Install jumper to disable tape trouble check and then remove end of line resistor
- **OPT** Remove jumper to convert trouble contacts to second set of alarm contacts
- **ALM** (position D) De-energize relay on alarm (position E) Energize relay on alarm
- **TBL** (position D) De-energize relay on trouble (position E) Energize relay on trouble

ORDERING INFORMATION

MODEL	DESCRIPTION
WD-2	Water detector without sensor tape
WD-2-T-10	Water detector with 10 (3.1m) sensor tape
WD-2-T-25	Water detector with 25 (15.2m) sensor tape, 1Kg
WD-2-T-50	Water detector with 50 (30.5m) sensor tape, 1.4Kg
WD-2-T-100	Water detector with 100 (7.6m) sensor tape, 2.1Kg

RELATED PRODUCTS	
691-K0A	Control transformer, 120:24 VAC, 40 VA, Class 2
DPCP-1.5-W	Power supply, 24 VAC IN to 24 VDC OUT
DPCA-1.2	Power supply, 120 VAC IN to 24 VAC/24 VDC OUT
WD-CLIP-5	Pack of five mounting clips (space 18"/45.7 cm for under-pipe installation)