

Q-DUCT MINI

Duct Temperature Sensor Plastic Enclosure



FEATURES

- Durable IP54 injection-molded enclosure with Quick Snap Cover
- Available in 4" / 6" / 8" / 12" / 18" lengths
- AISI 316 stainless steel temperature probe
- Small lightweight design
- Patent Pending Quick Connect System eliminates wire nuts
- Installed anti-vibration pad on flange
- NTC thermistors and RTD elements available
- Compatible with any Control System
- Optional 1/2" NPT conduit adapter
- CE & RoHS compliant
- 5 Year Limited Warranty
- Made in the USA

GENERAL INFORMATION

High quality universal Duct Temperature Sensor with injection-molded plastic enclosure and stainless steel AISI 316 probe provides a cost-effective solution for both commercial and industrial applications.

Available measuring elements interface with all major control manufacturers. Accurate thermistors and RTD's ensure low drift and are double encapsulated to guarantee the highest reliability.

The installed, high quality, closed cell foam ensures sealing of the probe insert and absorption of vibration. The Quick Snap Cover and patent pending Quick Connect System make installation easy and reduce installation costs.

SPECIFICATIONS

Enclosure: IP54, injection-molded 30% glass-filled nylon
Cover: Quick Snap, injection-molded polycarbonate
Mounting: Two integrated # 8 mounting holes
Probe Length: 4" / 6" / 8" / 12" / 18"
Probe Material: 6mm (\pm 1/4") AISI 316 stainless steel

Connection: 2-pole AWG 22-16 / 0.35 - 1.5mm² spring-loaded, Patent Pending Quick Connect System

Sensor Element: Interchangeable NTC thermistor, 2-wire
RTD Pt1000, 2-wire
RTD Ni1000-891, 2-wire

SPECIFICATIONS CONT.

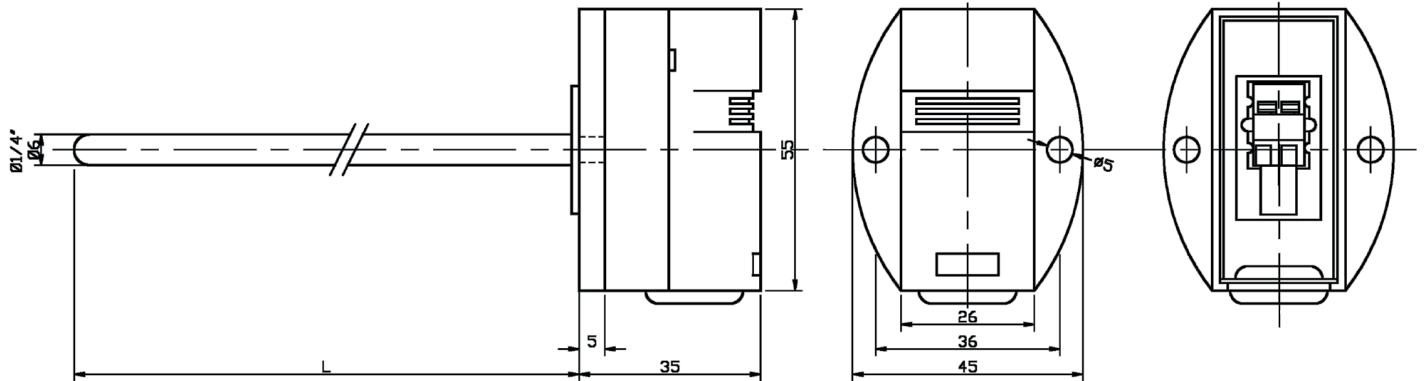
Sensor Value: NTC 10KOhm type 2 @ 25°C / 77°F
NTC 10KOhm type 3 @ 25°C / 77°F
NTC 20KOhm @ 25°C / 77°F
NTC 3KOhm @ 25°C / 77°F
RTD Pt1000 1000Ohm @ 0°C / 32°F
RTD Ni1000-891 891Ohm @ 0C / 32 F
(Other elements on request)

Accuracy: NTC thermistor 0...70°C ± 0.2°C / 32...158°F ± 0.36°F
Pt1000 Class B IEC751, ± 0.3°C / ± 0.5°F @ 0°C / 32°F
Ni1000 DIN 43760, ± 0.5°C / ± 0.9°F @ 0°C / 32°F

Range: -40...105°C / -40...221°F

Approval: CE & RoHS compliant
Warranty: 5 year limited warranty
Accessories: 1/2" NPT conduit adapter

DIMENSIONS (in mm)



ORDERING INFORMATION

Part #	10K type 2
THTDPA04	Q-Duct Mini 10K type 2, 4" Probe, ip54
THTDPA06	Q-Duct Mini 10K type 2, 6" Probe, ip54
THTDPA08	Q-Duct Mini 10K type 2, 8" Probe, ip54
THTDPA12	Q-Duct Mini 10K type 2, 12" Probe ip54
THTDPA18	Q-Duct Mini 10K type 2, 18" Probe ip54

Part #	10K type 3
THTDPB04	Q-Duct Mini 10K type 3, 4" Probe, ip54
THTDPB06	Q-Duct Mini 10K type 3, 6" Probe, ip54
THTDPB08	Q-Duct Mini 10K type 3, 8" Probe, ip54
THTDPB12	Q-Duct Mini 10K type 3, 12" Probe, ip54
THTDPB18	Q-Duct Mini 10K type 3, 18" Probe, ip54

Part #	20K
THTDPC04	Q-Duct Mini 20K, 4" Probe, ip54
THTDPC06	Q-Duct Mini 20K, 6" Probe, ip54
THTDPC08	Q-Duct Mini 20K, 8" Probe, ip54
THTDPC12	Q-Duct Mini 20K, 12" Probe, ip54
THTDPC18	Q-Duct Mini 20K, 18" Probe, ip54

Part #	3K
THTDPD04	Q-Duct Mini NTC 3K, 4" Probe, ip54
THTDPD06	Q-Duct Mini NTC 3K, 6" Probe, ip54
THTDPD08	Q-Duct Mini NTC 3K, 8" Probe, ip54
THTDPD12	Q-Duct Mini NTC 3K, 12" Probe, ip54
THTDPD18	Q-Duct Mini NTC 3K, 18" Probe, ip54

Part #	Pt1000/B
THTDPE04	Q-Duct Mini Pt1000, 4" Probe, ip54
THTDPE06	Q-Duct Mini Pt1000, 6" Probe, ip54
THTDPE08	Q-Duct Mini Pt1000, 8" Probe, ip54
THTDPE12	Q-Duct Mini Pt1000, 12" Probe, ip54
THTDPE18	Q-Duct Mini Pt1000, 18" Probe, ip54

Part #	Ni1000
THTDPF04	Q-Duct Mini Ni1000, 4" Probe, ip54
THTDPF06	Q-Duct Mini Ni1000, 6" Probe, ip54
THTDPF08	Q-Duct Mini Ni1000, 8" Probe, ip54
THTDPF12	Q-Duct Mini Ni1000, 12" Probe, ip54
THTDPF18	Q-Duct Mini Ni1000, 18" Probe, ip54

Tasseron Sensors Inc.

140 Choate Circle

Montoursville, PA 17754

Tel: +1 (570) 601-1971

Fax : +1 (570) 601-1972

Email: sales@tasseronusa.com