



GREYSTONE ENERGY SYSTEMS INC

RIGID DUCT AVERAGE TEMPERATURE TRANSMITTER w/ LCD TE511/512DR Series

The TE511/512DR multi-point rigid duct average temperature transmitter incorporates four precision platinum RTD's encapsulated in a 6.35 mm (0.25") OD, 304 stainless steel probe and is available in various lengths (see ordering chart) All probes provide excellent heat transfer, fast response and resist moisture penetration. A transmitter that provides a high accuracy signal with excellent long term stability, low hysteresis and fast response is available with various ranges. (See ordering chart) A LCD is provided in either °C (511) or °F (512).



SPECIFICATION:

Sensor.....	1000 ohm Platinum RTD
Sensor Accuracy	±0.3°C (±0.54°F) @ 0°C (32°F)
Probe Sensing Range	-20 to 60°C (-4 to 140°F)
Wire Material	FT6 Plenum rated
Probe Material	304 Series Stainless Steel
Probe Dimension	6.35 mm (0.25") Diameter
Output Signal	4-20mA current loop, 0-5 vdc, or 0-10 Vdc (factory configured)
Transmitter Accuracy	±0.1% of span, including linearity
Power Supply	4-20 mA: 15-35 Vdc or 22-32 Vac 0-5 Vdc: 10-35 Vdc or 10-32 Vac 0-10 Vdc: 15-35 Vdc or 15-32 Vac
Consumption:	Current: 22.5 mA Max (On open sensor) Voltage: 5 mA nominal
Input Voltage Effect	Negligible over specified operating range
RFI rejection	Good RFI rejection of normal frequencies
Protection Circuitry	Reverse voltage protected and output limited
Display Units	°C (511 Series) or °F (512 Series)
Display Range	3 digit for -88.8 to 888 as necessary
Display Size	24 mm x 11 mm (0.95" x 0.45")
Ambient Range	0 - 70°C (32 - 158°F), 0 - 95% RH non-condensing
Enclosure	ABS, UL94V, IP65 (NEMA 4X)
Wiring Connections	Screw terminal block (14 to 22 AWG)

PART NUMBER SELECTED

PRODUCT SELECTION INFORMATION:

MODEL	Product Description
TE511DR	Rigid Duct Average Temperature Transmitter c/w LCD display °C
TE512DR	Rigid Duct Average Temperature Transmitter c/w LCD display °F

CODE	Probe Length
K2	450 mm (18")
L2	600 mm (24")
M2	900 mm (36")

CODE	Transmitter Output Signal
A	Current 4-20mA
D	Voltage 0-5 Vdc
E	Voltage 0-10 Vdc

CODE	Transmitter Scaled Range
1	0 - 35°C (32 - 95°F)
2	0 - 50°C (32 - 122°F)
*	Custom ranges available Contact Greystone

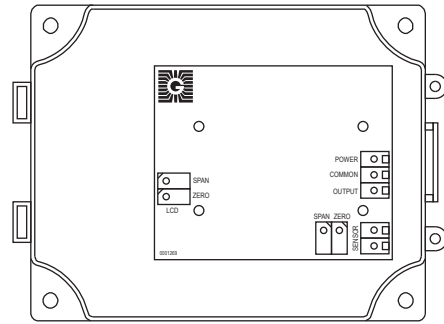
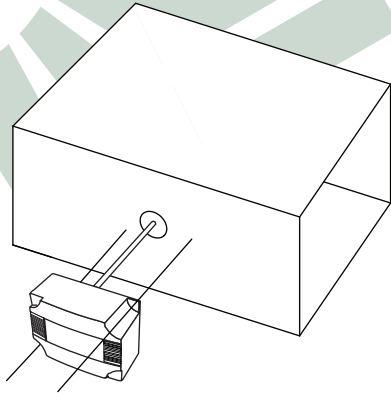
TE511DR K2 A 2

TYPICAL INSTALLATION:

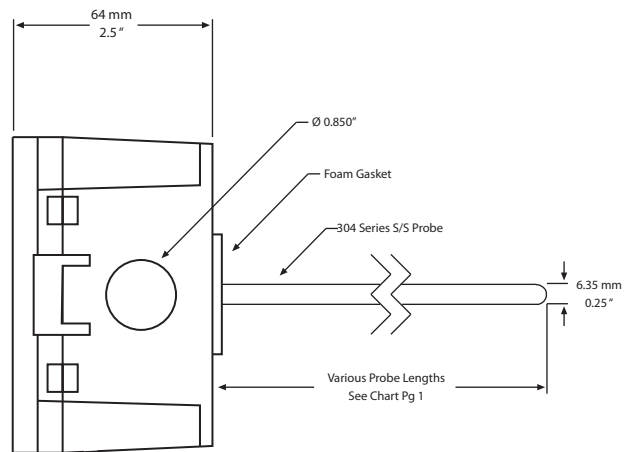
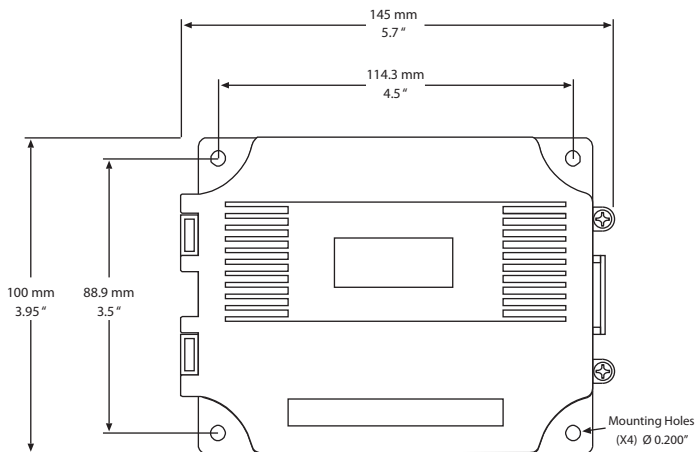
For complete installation and wiring details, please refer to the product installation instructions.

The rigid duct average type probes are installed through a hole in the side of the duct to monitor and provide an average temperature within the duct. Select a probe length that allows the probe to span the width of the duct. Install the probe in a straight section of duct at a suitable distance downstream from any heating, cooling or humidification devices.

Each enclosure style provides mounting tabs or holes for ease of installation.



DIMENSIONS:



Greystone Energy Systems, Inc. reserves the right to make design modifications without prior notice.



GREYSTONE
ENERGY SYSTEMS INC

Greystone Energy Systems, Inc.
150 English Drive, Moncton, NB
Canada E1E 4G7

(506) 853-3057 Fax: (506) 853-6014
North America: 1-800-561-5611
e-mail: mail@greystoneenergy.com
www.greystoneenergy.com

RoHS
COMPLIANT



Greystone Energy Systems Inc. is one of North America's largest ISO registered manufacturers of HVAC sensors and transducers for Building Automation Management Systems.

We have conscientiously established a worldwide reputation as an industry leader by maintaining leading-edge design technology, prompt technical support, and a commitment to on-time deliveries. We take pride in our Quality Management System which is ISO 9001 certified, assuring our customers of consistent product reliability.

GREYSTONE HAS AN ISO 9001 REGISTERED QUALITY SYSTEM