

TEMPERATURE

UNIVERSAL-MOUNT THERMISTOR AND RTD SENSORS ST-U* SERIES



DESCRIPTION

The **PreCon Model ST-U* Universal-Mount Thermistor and RTD Sensor** provides precision remote temperature sensing in multiple applications such as Duct, OSA, and Immersion installations for building automation systems. The active sensing element is a highly stable precision thermistor material or platinum RTD.

The sensing element is sealed with a thermally conductive compound in a 4-7/8" (12.38 cm) long stainless steel probe and is attached to a 2.5" (6.35 cm) square enclosure. The tabs on the enclosure provide mounting ears for direct duct mounting and are easily removable if they are not needed. This multipurpose enclosure minimizes the number of stock parts required to handle multiple applications.



FEATURES

- **Lifetime warranty**
- **Flame retardant, plenum rated**
- **Wide selection of thermistor and RTD curves**
- **Adaptable with many mounting options**
- **304 stainless steel probes**
- **Easy to mount to duct, well, or wall**
- **Waterproof probe**
- **Paintable plastic**
- **NEMA 3R, IP22**
- **Brass or stainless well**
- **Outside air kit**
- **Custom lengths**
- **Matched sensor pairs**
- **Ultra high accuracy optional**

PROBE APPLICATIONS

The **Duct Temperature** application is designed for direct mounting on sheet metal duct systems. The sensor is point sensitive and comes standard with a 4-7/8" (12.38 cm) insertion depth. The XL option is available for custom lengths up to 36" (91.44 cm).

The **Immersion Temperature** application is designed to be threaded directly into a 1/8" NPT well. The wells are available in brass or 304 stainless steel and are designed for pipe insertion using a 1/2" threaded saddle (Thredolet®).

The **Outside Air Temperature** application uses a wall bracket with a vented weather shield to minimize the effect of rain, snow, or other weather related influences. This rugged enclosure and bracket will ensure long life even in severe weather conditions.

SPECIFICATIONS

Accuracy		Temperature Stability	
Thermistor	±0.36°F (0.2°C)	Thermistor	0.24°F (0.13°C) over five years
RTD		RTD	Max 0.04% after 1k hours @ 500 °C
Type 63	±0.72°F (0.40°C)	Heat Dissipation	2.7 mW/°C (power needed to raise the temperature by 1°C)
Type 71	+/-0.0774°F (0.043°C)	Enclosure Rating	NEMA 3R, UL 94V-0, plenum-rated plastic, IP22 UV protected with snap-off cover
Type 81, 85	±0.27°F (0.15°C)	Mounting	Directly to duct, immersion well, or OSA wall mount with appropriate bracket
Type 91	±0.54°F (0.30°C)	Wiring Terminations	8' (2.4m) of 24 AWG pigtailed with prestripped ends, type 71 & 81 have 18" leads
Sensor Type		Weight	0.25 lb (0.1 Kg) w/o options
Thermistor	2.252 kΩ, 3 kΩ, 10 kΩ Type II, III & III w/11K shunt, 20 kΩ, 100 kΩ	Approvals	CE
RTD		Warranty	Lifetime
Type 63	1000Ω Nickel		
Type 71, 81	100Ω Pt 385 Curve		
Type 85	1000Ω Pt 385 Curve		
Type 91	1000Ω Pt 375 Curve		
Temperature Range			
Thermistor/RTD	-40° to 221°F (-40° to 105°C)		
Temperature Coefficient			
Thermistor	Negative temperature coefficient		
RTD	Positive temperature coefficient		

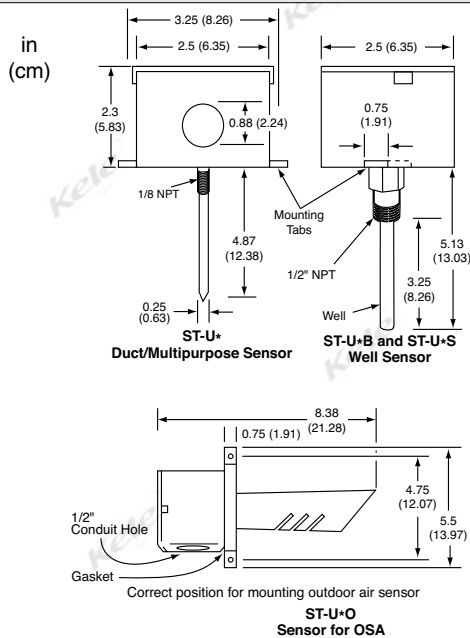


TEMPERATURE

UNIVERSAL-MOUNT THERMISTOR AND RTD SENSORS

ST-U* SERIES

DIMENSIONS

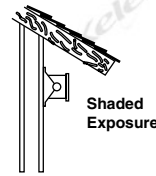


MOUNTING

Duct: Drill a 9/16" (1.43 cm) hole for insertion into the duct. Attach probe snug to the duct with self tapping screws.

Well Insertion: Install the well into the customer-supplied 1/2" saddle (Thredolet®), then thread the sensor into the well. For better heat transfer you may apply thermal compound to the tip of the sensor before insertion. Mounting tabs may be removed.

OSA: Insert the shield into the bracket and thread the **KT-U*** through the gasket to the shield. Secure the assembly to the wall using the appropriate hardware for the wall surface. The ideal orientation of the sensor is horizontal with the knockout facing down and located on an outside wall with a shaded exposure. Mounting tabs may be removed. The sensor and shield may be painted to the architect's specifications.



- When choosing location for any outdoor air temperature sensors:
1. Do not mount above building openings (windows, doors)
 2. Keep sensor out of direct sunlight

Do not mount sensor in vertical position with the weather shield pointing up.

ORDERING INFORMATION

MODEL	DESCRIPTION
ST-U3	10,000Ω universal-mount thermistor @ 77°F (25°C), Type III (gray leads)
ST-U11K	10,000Ω universal-mount thermistor @ 77°F (25°C), Type III with 11K shunt (gray leads)
ST-U21	2252Ω universal-mount thermistor @ 77°F (25°C), Type II (green leads)
ST-U22	3000Ω universal-mount thermistor @ 77°F (25°C), Type II (blue leads)
ST-U24	10,000Ω universal-mount thermistor @ 77°F (25°C), Type II (yellow leads)
ST-U27	100,000Ω universal-mount thermistor @ 77°F (25°C), Type II (gray leads)
ST-U42	20,000Ω universal-mount thermistor @ 77°F (25°C), Type IV (green leads)
ST-U63	1000Ω nickel universal-mount RTD @ 32°F (0°C), (yellow leads)
ST-U71	100Ω ultra high accurate universal-mount RTD @ 32°F (0°C), 385 platinum curve (blue leads)
ST-U81	100Ω universal-mount RTD @ 32°F (0°C), 385 platinum curve (yellow leads)
ST-U85	1000Ω universal-mount RTD @ 32°F (0°C), 385 platinum curve (blue leads)
ST-U91	1000Ω universal-mount RTD @ 32°F (0°C), 375 platinum curve (green leads)
OPTIONS	
B	WEL-B brass well included
O	OSAB Outside weathershield, gasket, and bracket for wall mount included
QD 1/4	Nylon insulated quick disconnect 1/4"
S	WEL-S 304 stainless steel well included
X25	25' (7.6m) lead length 24 AWG
XC25	25' (7.6m) lead length jacketed cable
XCP25	25' Non-shielded plenum cable
XD	Dual sensors in one probe
XG	Greenfield fitting (factory installed)
XL	Custom length insertion probes 1" to 108"
XL2 in	Custom length insertion probe, 2"(5.08 cm)
XL9	Custom length insertion probe, 9"(22.86 cm)
XN	Certificate of conformance
XN1	NIST certificate, one reference point 32°F(0°C)
XN2	NIST certificate, two reference points 32°F/158°F(0°C/70°C)
XN3	NIST certificate, three reference points 32°F/77°F/158°F(0°C/25°C/70°C)
XP	Matched sensor pair, matched to ±0.1°F, 0.05°C (must order two sensors)
XPA	Ultra high accuracy, thermistors only, ±0.135°F (0.075°C)
XZ	Three wire RTD connections(optional only on Type 81, standard on Type 71, not available with XC25 & XCP25 options)

ST-U3 - B Example: ST-U3B 10,000Ω Type III immersion sensor with brass well

RELATED PRODUCTS

F-1000-331
 OSAB
 TCC-111
 TCC-12
 WEL-B
 WEL-S

Nylon bushing for open wiring
 OSA weather shield, gasket, and bracket
 Thermal conductive compound 111 ml tub
 Thermal conductive compound tube, 12 ml
 Brass well
 304 stainless steel well