



TEMPERATURE

DUCT THERMISTOR AND RTD SENSORS BA/ DUCT SERIES

DESCRIPTION

The BAPI BA Series Duct Thermistor and RTD Sensors are available in a variety of easy-to-mount installation types. They come in thermistor and RTD sensors and feature etched Teflon leadwires and encapsulated sensors to create a watertight package that can perform in the real world.

FEATURES

- $\pm 0.36^{\circ}\text{F}$ ($\pm 0.2^{\circ}\text{C}$) thermistor accuracy
- $\pm 0.27^{\circ}\text{F}$ ($\pm 0.15^{\circ}\text{C}$) or $\pm 0.54^{\circ}\text{F}$ ($\pm 0.3^{\circ}\text{C}$) RTD
- Lifetime limited sensor warranty
- Wide selection of mounting styles



BA/10K2-D4-NB



BA/10K2-D4-BB4



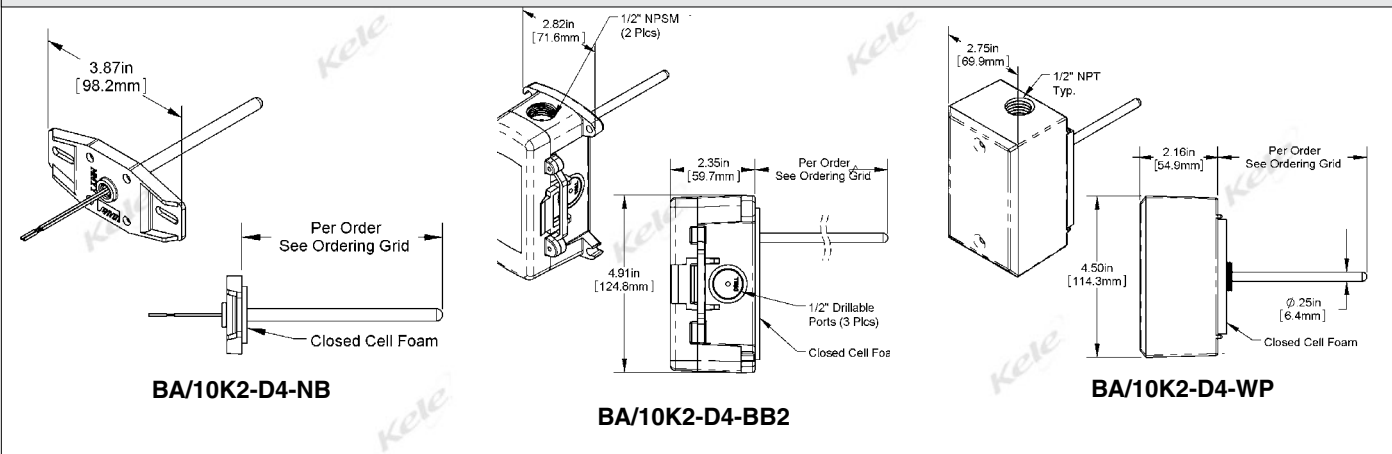
BA/10K2-D3-JB



SPECIFICATIONS

Accuracy		JB	2" x 4" J-box with 1/2" knockouts:
Thermistor	$\pm 0.36^{\circ}\text{F}$ (0.2°C)	BB	0.65 lb (0.29 Kg)
RTD	$\pm 0.55^{\circ}\text{F}$ ($\pm 0.30^{\circ}\text{C}$)	BB2	BAPI-Box - IP66 rated, UV-resistant polycarbonate; 0.8 lb (0.36 Kg)
Sensor Type		BB2	BAPI-Box 2 - IP66 rated, UV-resistant polycarbonate; 0.8 lb (0.36 Kg)
Thermistor	10 k Ω Type II & III	WP	NEMA 3R cast aluminum; 0.8 lb (0.36 Kg)
RTD	100 Ω , 1000 Ω , 385 curve; 1000 Ω , 375 curve	Mounting	Directly to duct
Temperature Range	32 $^{\circ}$ to 158 $^{\circ}\text{F}$ (-0 $^{\circ}$ to 70 $^{\circ}\text{C}$)	Wiring Terminations	22 AWG wire, etched teflon leads
Stability	< 0.036 $^{\circ}\text{F}$ (0.02 $^{\circ}\text{C}$) per year, 0.14 $^{\circ}\text{C}$ with 6,000 continuous hours at 400 $^{\circ}\text{C}$	Approvals	CE, RoHS
Heat Dissipation	2.7 mW/ $^{\circ}\text{C}$ (power need to raise the temperature 1 $^{\circ}\text{C}$), 0.4 $^{\circ}\text{C}/\text{mW}$ at 0 $^{\circ}\text{C}$	Warranty	Lifetime
Enclosure/Weight			
NB	No Box; 0.5 lb (0.23 Kg)		

DIMENSIONS



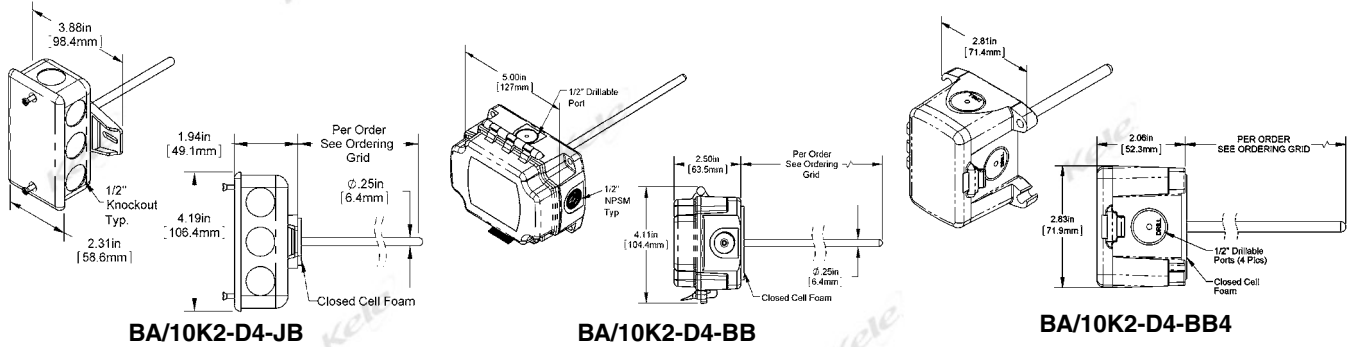
TEMPERATURE

DUCT THERMISTOR AND RTD SENSORS

BA/ DUCT SERIES



DIMENSIONS



ORDERING INFORMATION

MODEL	DESCRIPTION
BA/	Probe temperature sensor
	REQUIRED SENSOR TYPE
10K2	10,000Ω thermistor @ 77°F (25°C), Type 2
10K3	10,000Ω thermistor @ 77°F (25°C), Type 3
100	100Ω RTD @ 32°F (0°C), 385 curve
1K	1000Ω RTD @ 32°F (0°C), 385 curve
1K375	1000Ω RTD @ 32°F (0°C), 375 curve
	REQUIRED PROBE TYPE AND LENGTH
D8	Duct mount with 8" probe (other lengths available 4", 12", 18")
	REQUIRED MOUNTING ENCLOSURE
NB	No box with 18" leads
JB	2" x 4" J-box with 1/2" knockouts
BB	IP66 rated, UV resistant polycarbonate
BB2	IP66 rated, UV resistant polycarbonate
WP	NEMA 3R weatherproof UV resistant enclosure

BA/ — 10K3 — D8 — JB

Example: BA/10K3-D8-JB BAPI 8" duct 10,000Ω thermistor sensor with JB box

RELATED PRODUCTS

T85U-XR	1000 ohm, Type 85 4-20 mA temperature transmitter, custom rangeable
T81U-XR	100 ohm, Type 81 4-20 mA temperature transmitter, custom rangeable
T91U-XR	1000 ohm, Type 91 4-20 mA temperature transmitter, custom rangeable
UR	Moisture-resistant three-wire butt splice