



3300 Brother Boulevard, Memphis, TN 38133



+1.877.826.9045



[insidesales@kele.com](mailto:insidesales@kele.com)



[www.kele.com](http://www.kele.com)

**TRANSFORMERS**



**PART: PTR20** □□□□□

**SPECIFICATIONS**

**VA Rating:** 20

**Frequency:** 50/60 Hz

**Mounting:** Foot-Single/ Foot-Double threaded hub

**Over Current Protection:** Inherently limited

**Dimensions:** As shown in schematics

**Wire Length:** 8" Typical w/ .5" Strip

**Operating Temperature:** -30 to 140° F

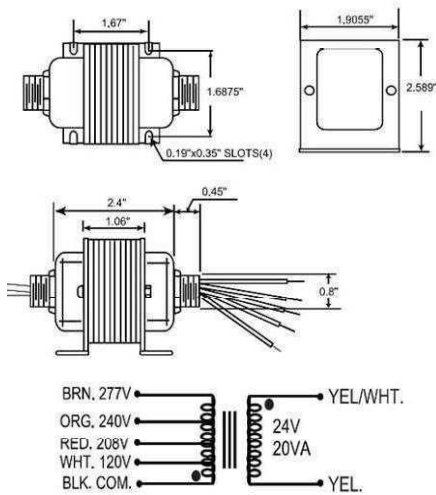
**MTBF:** 100,000 Hours @ 77° F

**Construction:** Split-bobbin

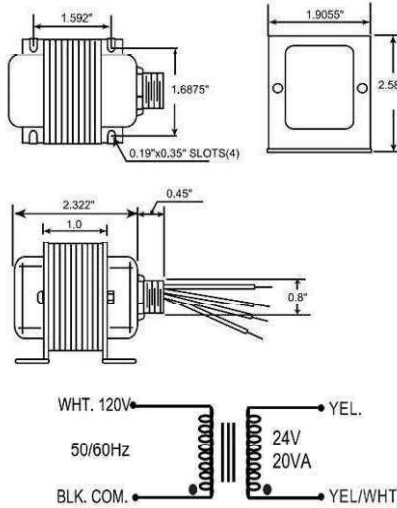
**Approvals:** UL5085-3 Class 2, RoHS, cULus Listing: E316704

**MOUNTING SPECS AND WIRING**

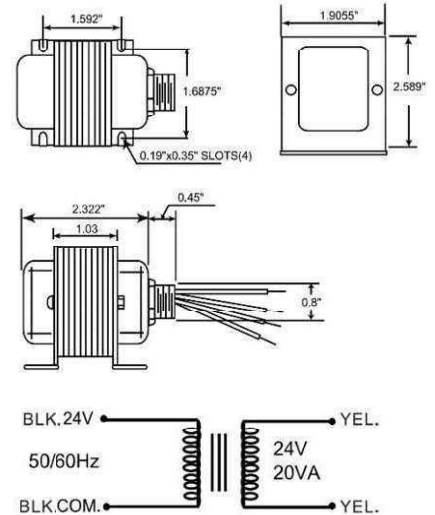
**PTR20TADHI**



**PTR20SASHI**



**PTR20XASHII**



**ORDERING INFORMATION**

- Transformers ≤100 VA are UL 5085-3, Class 2 listed.
- Transformers ≥50 VA are with a Circuit-Breaker.

Kele Transformers Rating	Part Number	Primary	Secondary	Mounting	Over Current Protection
20VA	PTR20TADHI	277-240-208-120VAC	24VAC	Foot-Double Hub	Inherent
	PTR20SASHI	120VAC	24VAC	Foot-Single Hub	Inherent
	PTR20XASHI	24VAC	24VAC	Foot-Single Hub	Inherent
40VAC	PTR40TADHI	277-240-208-120VAC	24VAC	Foot-Double Hub	Inherent
	PTR40SASHI	120VAC	24VAC	Foot-Single Hub	Inherent
	PTR40SADHI	120VAC	24VAC	Foot-Double Hub	Inherent
50VA	PTR50MADHCB	480-277-240-208-120VAC	24VAC	Foot-Double Hub	CB
	PTR50TADHCB	277-240-208-120VAC	24VAC	Foot-Double Hub	CB
	PTR50SASHCB	120VAC	24VAC	Foot-Single Hub	CB
75VA	PTR75MADHCB	480-277-240-208-120VAC	24VAC	Foot-Double Hub	CB
	PTR75MASHCB	480-277-240-208-120VAC	24VAC	Foot-Single Hub	CB
	PTR75SASHCB	120VAC	24VAC	Foot-Single Hub	CB
100VA	PTR100MADHCB	480-277-240-208-120VAC	24VAC	Foot-Double Hub	CB
	PTR100MASHCB	480-277-240-208-120VAC	24VAC	Foot-Single Hub	CB
	PTR100SASHCB	120VAC	24VAC	Foot-Single Hub	CB
150VA	PTR150MADHCB	480-277-240-208-120VAC	24VAC	Foot-Double Hub	CB
	PTR150SASHCB	120VAC	24VAC	Foot-Single Hub	CB
	PTR150SADHCB	120VAC	24VAC	Foot-Double Hub	CB
175VA	PTR175SASHCB	120VAC	24VAC	Foot-Single Hub	CB
180VA	PTR180MAFCB	480-277-240-208-120VAC	24VAC	Foot	CB
300VA	PTR300MAFCB	480-277-240-208-120VAC	24VAC	Foot	CB