



3300 Brother Boulevard, Memphis, TN 38133

+1.877.826.9045

www.kele.com



insidesales@kele.com



TRANSFORMERS



PTR100 □□□□□□

SPECIFICATIONS

VA Rating: 96

Wire Length: 8" Typical w/ .5" Strip

Frequency: 50/60 Hz

Mounting: Foot-Single/ Foot-Double threaded hub

Over Current Protection: Circuit breaker

Dimensions: As shown in schematics

- Transformers ≤100 VA are UL 5085-3, Class 2 listed.
- Transformers ≥50 VA are with a Circuit-Breaker.

Operating Temperature: -30 to 140° F

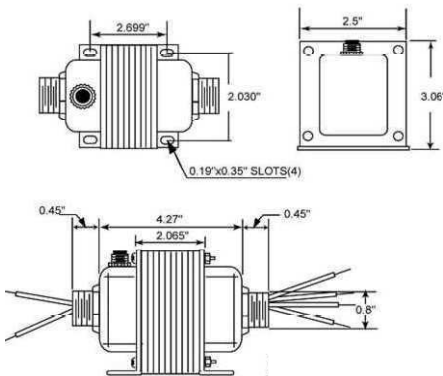
MTBF: 100,000 Hours @ 77° F

Construction: Split-bobbin

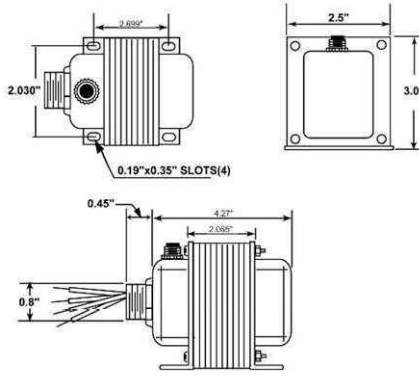
Approvals: UL5085-3 Class 2, RoHS, cULus Listing: E316704

MOUNTING SPECS AND WIRING

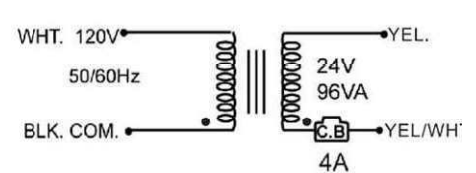
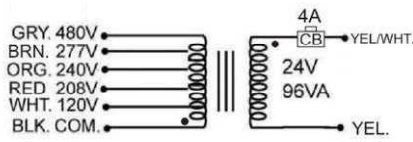
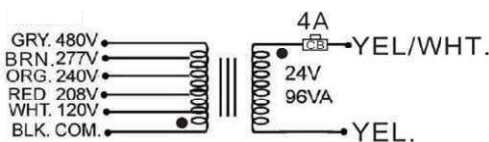
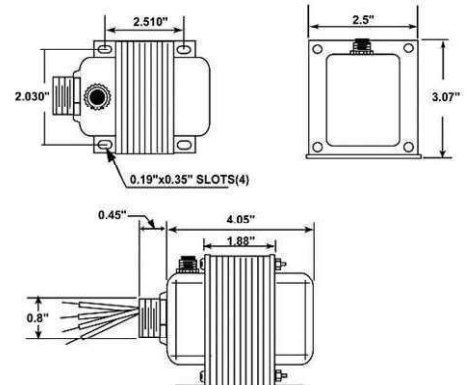
PTR100MADHCB



PTR100MASHCB



PTR100SASHCB



ORDERING INFORMATION

Kele Transformers Rating	Part Number	Primary	Secondary	Mounting	Over Current Protection
20VA	PTR20TADHI	277-240-208-120VAC	24VAC	Foot-Double Hub	Inherent
	PTR20SASHI	120VAC	24VAC	Foot-Single Hub	Inherent
	PTR20XASHI	24VAC	24VAC	Foot-Single Hub	Inherent
40VAC	PTR40TADHI	277-240-208-120VAC	24VAC	Foot-Double Hub	Inherent
	PTR40SASHI	120VAC	24VAC	Foot-Single Hub	Inherent
	PTR40SADHI	120VAC	24VAC	Foot-Double Hub	Inherent
50VA	PTR40XASHI	24VAC	24VAC	Foot-Double Hub	Inherent
	PTR50MASHCB	480-277-240-208-120VAC	24VAC	Foot-Single Hub	CB
	PTR50ADHCB	277-240-208-120VAC	24VAC	Foot-Double Hub	CB
75VA	PTR50SASHCB	120VAC	24VAC	Foot-Single Hub	CB
	PTR50ADHCB	120VAC	24VAC	Foot-Double Hub	CB
	PTR75MADHCB	480-277-240-208-120VAC	24VAC	Foot-Double Hub	CB
100VA	PTR75MASHCB	480-277-240-208-120VAC	24VAC	Foot-Single Hub	CB
	PTR75SASHCB	120VAC	24VAC	Foot-Single Hub	CB
	PTR75ADHCB	120VAC	24VAC	Foot-Double Hub	CB
150VA	PTR100MADHCB	480-277-240-208-120VAC	24VAC	Foot-Double Hub	CB
	PTR100MASHCB	480-277-240-208-120VAC	24VAC	Foot-Single Hub	CB
	PTR100SASHCB	120VAC	24VAC	Foot-Single Hub	CB
175VA	PTR100ADHCB	120VAC	24VAC	Foot-Double Hub	CB
	PTR150MBDHC	480-277-240-208VAC	120VAC	Foot-Double Hub	CB
	PTR150SASHCB	120VAC	24VAC	Foot-Single Hub	CB
180VA	PTR150ADHCB	120VAC	24VAC	Foot-Double Hub	CB
	PTR175SASHCB	120VAC	24VAC	Foot-Single Hub	CB
	PTR180MAFCB	480-277-240-208-120VAC	24VAC	Foot	CB
300VA	PTR300MAFCB	480-277-240-208-120VAC	24VAC	Foot	CB

PTR100SADHCB

