

# POWER MONITORING & PROTECTION

## ADVANCED KWH/DEMAND METER H-SERIES CLASS 500 SUBMETERS

**Honeywell**

### DESCRIPTION

The **H-Series Class 500 Submeters** come with enclosure, display, and does include split core current sensors. Available outputs include pulse, LonWorks, BACnet, BACnet IP, Modbus RTU, or Modbus TCP. There are 38 different points of information available on the communicating models. The dual protocol output allows operation for both RS-485 and Ethernet communication simultaneously. In addition, they will accept up to two pulse inputs from other meters (water, gas, sewer, etc.) and communicate this information as two more data points. Accuracy meets or exceeds +/- 0.5%.

### FEATURES

- **Direct-read 8-digit LCD display of cumulative kWh**
- **Includes 0-2 volt output split-core current sensors**
- **Remote mounting of current sensors up to 500 feet from meter (using 22 Awg wire)**
- **Current sensor installation diagnostic indicator**
- **Available in standard JIC Industrial-grade steel enclosure**
- **UL Listed; meets or exceeds ANSI C12 national accuracy standards**
- **Optional power failure contact for alarming**
- **Dual protocol output**



H Series Class 500



POWER MONITORING & PROTECTION

17

### SPECIFICATIONS

<b>Voltage Input</b>	Up to 600 VAC RMS available, 50/60Hz	<b>NEMA 4</b>	(Outdoor) Housing: -4° to 158°F (-20° to 70°C)
<b>Communication</b>	Modbus RTU or TCP/IP BACnet IP or MS/TP LonWorks	<b>NEMA 12</b>	(Indoor) Housing: -4° to 122°F (-20° to 50°C)
<b>Input Voltage Configuration</b>	3-wire (Delta) or 4-wire (WYE)	<b>Operating Humidity</b>	0 to 95% RH (non-condensing)
<b>CT Input</b>	0-2 VDC current sensors included Sensors - Up to 3200 Amp RMS AC available	<b>Housing Type</b>	
<b>Available CT's</b>		<b>Models with R</b>	NEMA 4
<b>Overload Rating</b>		<b>Models without R</b>	NEMA 12
<b>Voltage Overload</b>	+25% continuously; +100% for 20 cycles	<b>Dimensions-Meter</b>	7.5"H x 7"W x 3.75"D (19.1 x 17.8 x 8.3 cm)
<b>Current Sensor Overload</b>	100% for 1 minute without damaging meter Certified to ANSI C12.20	<b>Dimensions-Current Sensors Interior Window</b>	100A and 200A = 7/8" x 1-1/2" 400A = 1-1/2" x 2-3/4" 800A and 1600A = 3-1/4" x 4-1/2" 3200A = 5-7/16" x 7-7/8"
<b>Accuracy Range</b>		<b>Approvals</b>	UL file#E249361
<b>(4 Wire Wye)</b>	115/208 VAC: 100, 200, 400, 800, 1600, 3200 Amp	<b>Battery</b>	Description Non-rechargeable cell used for memory retention
<b>(4 Wire Wye)</b>	277/480 VAC: 100, 200, 400, 800, 1600, 3200 Amp	<b>Manufacturer</b>	Eagle-picher
<b>(3 Wire Delta)</b>	220/240 VAC: 100, 200, 400, 800, 1600, 3200 Amp	<b>Mfg Part No.</b>	LTC-3PN
<b>(3 Wire Delta)</b>	480 VAC: 100, 200, 400, 800, 1600, 3200 Amp	<b>Working Voltage</b>	3.5 Vdc
<b>Operating Temperature</b>		<b>Current Capacity</b>	350 mAhr
		<b>Electrolyte</b>	Lithium thionyl nitrate
		<b>Warranty</b>	1 year

# POWER MONITORING & PROTECTION

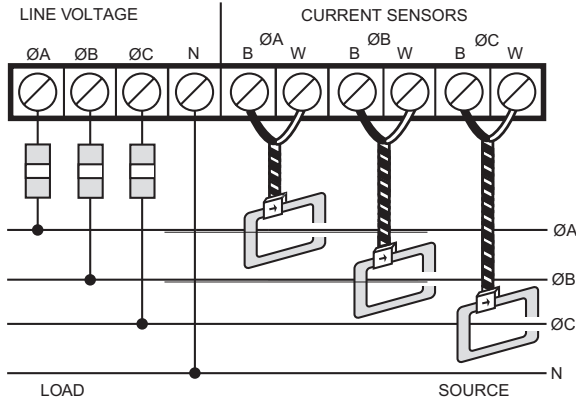


## ADVANCED KWH/DEMAND METER H-SERIES CLASS 500 SUBMETERS

POWER MONITORING & PROTECTION

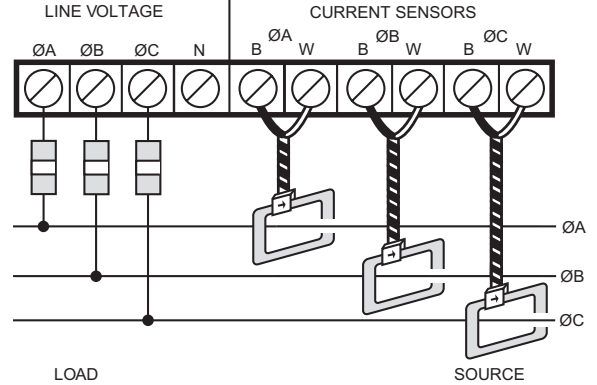
17

### MAINS LINE VOLTAGE AND CURRENT SENSOR WIRING DIAGRAMS (CURRENT SENSORS INCLUDED)



NOTES: LINE VOLTAGE CONNECTIONS: 14-22 AWG  
 SENSOR CONNECTIONS: B=BLACK LEAD, W=WHITE LEAD  
 1/10A, 600 VAC INLINE FUSE PER CONDUCTOR.  
 LITTLEFUSE PART NUMBER KLDR 100.  
 NEUTRAL NOT USED IN DELTA SYSTEM. REMOVE NEUTRAL  
 TERMINAL BLOCK SCREW FOR DELTA SYSTEMS. M32788

3-phase, 4-wire installation diagram.



NOTES: LINE VOLTAGE CONNECTIONS: 14-22 AWG  
 SENSOR CONNECTIONS: B=BLACK LEAD, W=WHITE LEAD  
 1/10A, 600 VAC INLINE FUSE PER CONDUCTOR.  
 LITTLEFUSE PART NUMBER KLDR 100.  
 NEUTRAL NOT USED IN DELTA SYSTEM. REMOVE NEUTRAL  
 TERMINAL BLOCK SCREW FOR DELTA SYSTEMS. M32797

3-phase, 3-wire installation diagram.

### ORDERING INFORMATION

Model	Description
H50-	H Series Class 500 Submeter
	208 208V meter
	480 480V meter
	600 600V meter
	100 100A input
	200 200A input
	400 400A input
	800 800A input
	1600 1600A input
	3200 3200A input
	J Indoor use only
	R Outdoor use (NEMA 4x)
	N Green Net Option
02KIT Modbus RTU and Ethernet EZ-7	
03KIT BACnet MS/TP and Ethernet	
05KIT BACnet IP and RS-485 EZ-7	
06KIT Modbus RCP/IP and Modbus RTU	
07KIT Lonworks and Ethernet EZ-7	

**Example:** 480V, 100A meter, BACnet MS/TP and Ethernet

-or-

**Example:** 480V, 100A Green Net meter, BACnet MS/TP and Ethernet EZ-7