

MET-44 WG

OVERHEAD DOOR CONTACTS

4.22"L×1.73"W×.47"H Surface Mount Armored Commercial Type



Contact Size: 4.22"L×1.73"W×.47"H

(107.2mm×44mm×12mm)

Standard Magnet Size: 4.13"L×2.42"W×1.5"H

(105mm×61.7mm×38mm)

Standard Gap: 2"(50mm)

Colors: Aluminum Case

18"(458mm) Armored Leads

36"(915mm) Armored Leads Available

Specifications

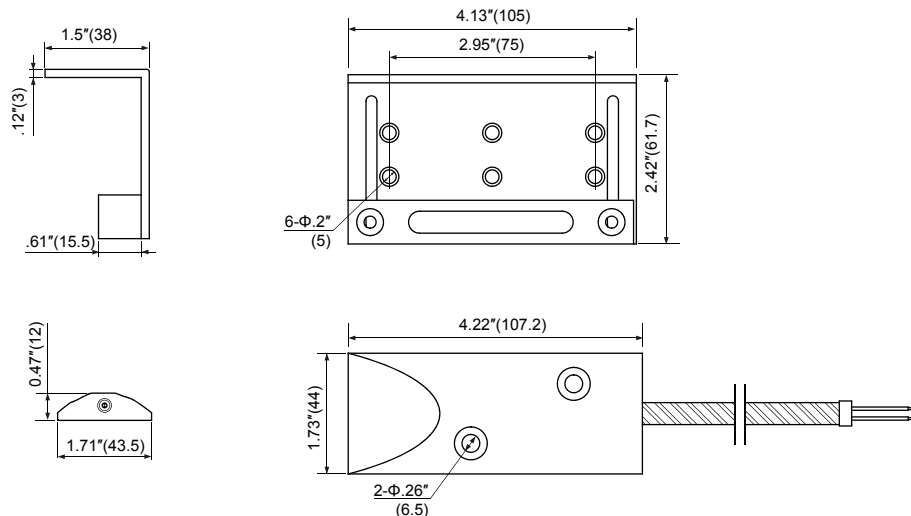
| Part Number | Gap Inch(mm) | Loop Open/Closed | Reed Form | Max. Contact Rating (W) | Max. Initial Contact Resistance (mΩ) | Max. Switching Voltage (V) | Max. Switching Current (A) |
|------------------|--------------|------------------|-----------------|-------------------------|--------------------------------------|----------------------------|----------------------------|
| MET-44 WG | 2"(50) | CLOSED | Normally Open | 10 | 100 | AC110/DC100 | 0.5 |
| MET-45 WG | 1.93"(49) | OPEN | Normally Closed | 3 | 100 | AC30/DC30 | 0.2 |
| MET-46 WG | 1.93"(49) | SPDT | SPDT | 3 | 100 | AC30/DC30 | 0.2 |

OPERATING TEMPERATURE:-40°C to +60°C

Outline Dimensions

Unit: inch(mm)

MET-44 WG/MET-45 WG



The Best Guarantee Since 1984 : \$50-1

TANE ALARM PRODUCTS

906 JERICHO TURNPIKE, NEW HYDE PARK, NY 11040

Tel: 800-852-5050 • 516-328-3351 • Fax: 516-326-9125

www.tanealarm.com • E-MAIL: info@tanealarm.com

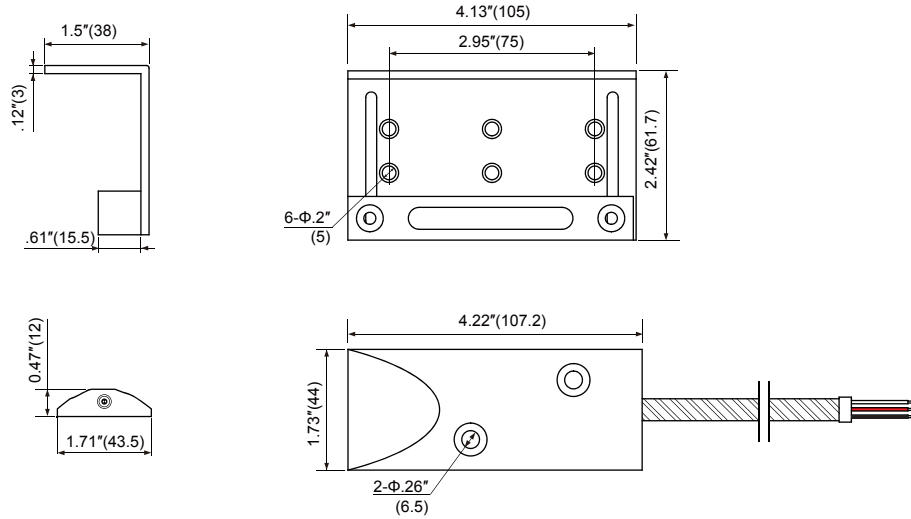
MET-44 WG

OVERHEAD DOOR CONTACTS

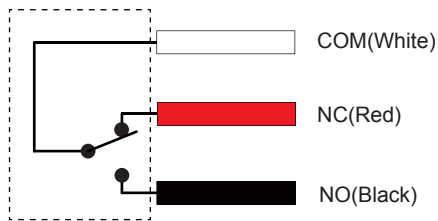
Outline Dimensions

Unit: inch(mm)

MET-46 WG



MET-46 WG Wiring Diagram



The Best Guarantee Since 1984 : \$50-1

TANE ALARM PRODUCTS

906 JERICO TURNPIKE, NEW HYDE PARK, NY 11040

Tel: 800-852-5050 • 516-328-3351 • Fax: 516-326-9125

www.tanealarm.com • E-MAIL: info@tanealarm.com