



LIGHTING CONTROLS

PULSE INITIATOR MODEL PIL-1

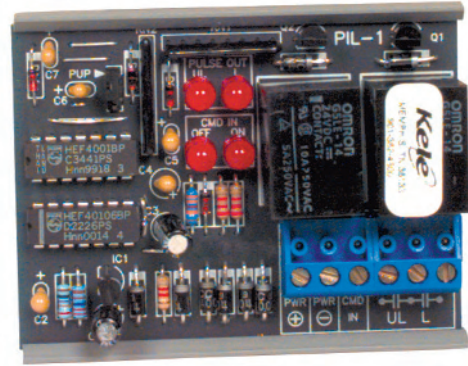
DESCRIPTION

The **Model PIL-1 Pulse Initiator** is designed to provide pulses to latch and unlatch mechanically-held or magnetically-held lighting contactors (such as the Model RR-7, RR-9, or TR Series) from maintained contact outputs.



FEATURES

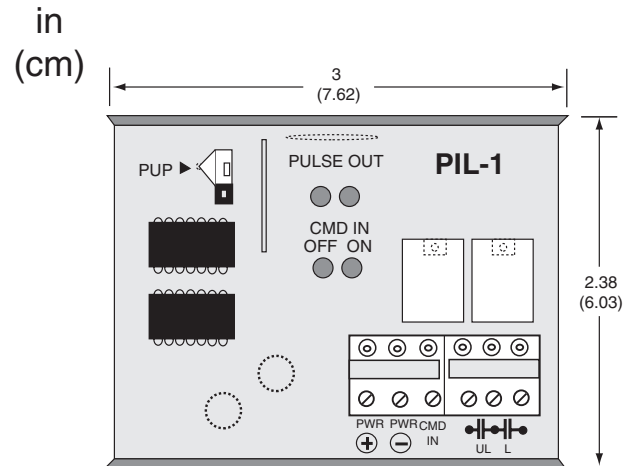
- **LED indicators:**
Pulse out: unlatch/latch
Command in: off/on
- **AC or DC operation**
- **Selectable power-up (PUP) state**
- **Snap-track mounted**



OPERATION

The **Model PIL-1** is controlled by a single SPST N.C. or N.O. switch or relay. Closing the input contact causes the latch output to close momentarily for 100 ms. Opening the input contact causes the unlatch output to close momentarily for 100 ms. A power-up feature allows the operator to select either an immediate pulse out (PUP position), depending on the present command of the controller, or a pulse out only when the controller input changes state. LEDs indicate input state and output latch or unlatch pulses. Typical control signals would be a digital output from a BAS panel, a light or toggle switch, or a contact on a timer.

DIMENSIONS



LIGHTING CONTROLS

SPECIFICATIONS

| | |
|--------------------------|--|
| Power supply | 24 VAC/VDC @ 50 mA |
| Input required | SPST switch or relay |
| Output | Two N.O. pulsed contacts rated 120 VAC @ 5A |
| Output pulse time | 100 ms standard, others available on request (5 sec max) |

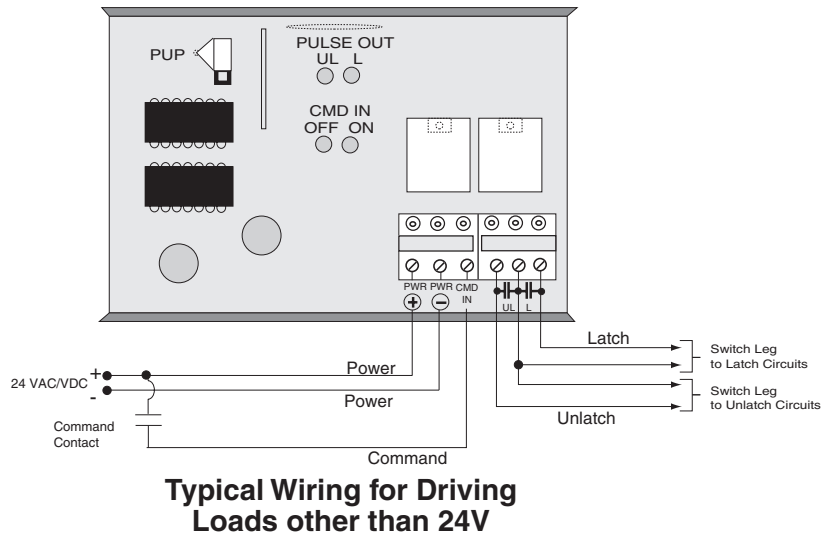
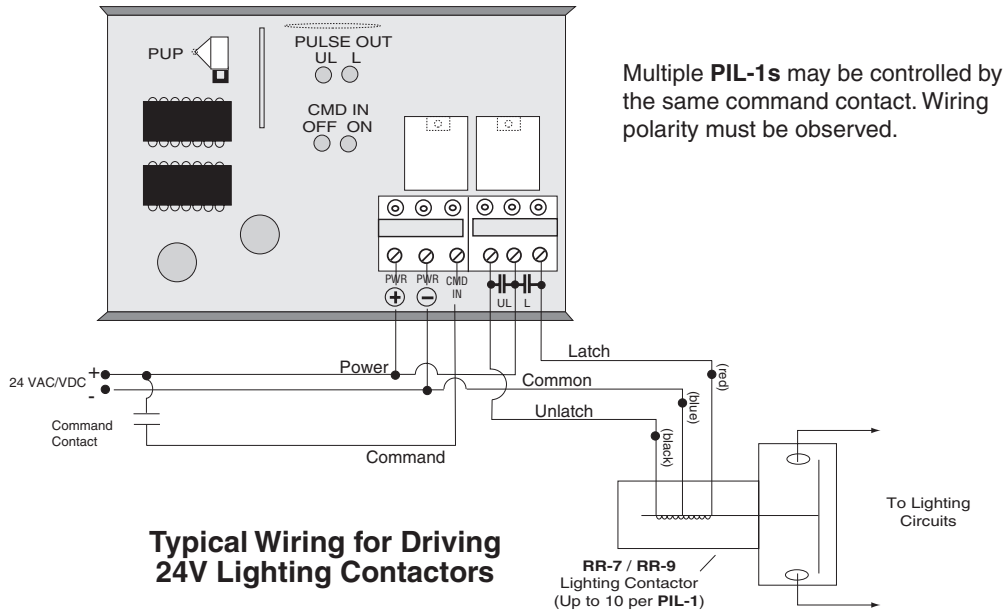
| | |
|-------------------|--|
| Dimensions | 2.375"H x 3"W x 1.375"D (6.03 x 7.62 x 3.5 cm) |
| Weight | 0.25 lb (0.12 kg) |
| Warranty | 18 months |



LIGHTING CONTROLS

PULSE INITIATOR MODEL PIL-1

WIRING



ORDERING INFORMATION

| MODEL | DESCRIPTION |
|---------|--|
| PIL-1 | Pulse initiator |
| PIL-1-C | Pulse initiator with factory-calibrated pulse duration (specify when ordering) |

RELATED PRODUCTS

| | |
|------|--------------------|
| RR-7 | Lighting contactor |
| RR-9 | Lighting contactor |