



TEMPERATURE

STRAP-ON THERMISTOR AND RTD SENSORS BA/STRAP-ON SERIES

DESCRIPTION

The **BAPI BA Strap-On Temperature Thermistor and RTD Sensors** are designed specifically for HVAC systems to monitor water temperature in retrofit or filled pipe applications. They fit around the outside of a pipe and measure the water temperature by sensing the surface temperature of the pipe. They come in thermistor and RTD sensors and feature etched teflon leadwires to perform under real world conditions.

FEATURES

- *Strap-on or clamp-on models*
- *Lifetime limited sensor warranty*
- *Wide selection of mounting styles*



BA/10K2-STP-BB4



BA/10K2-S-BB4



BA/10K2-STP-JB



BA/10K2-S-JB



SPECIFICATIONS

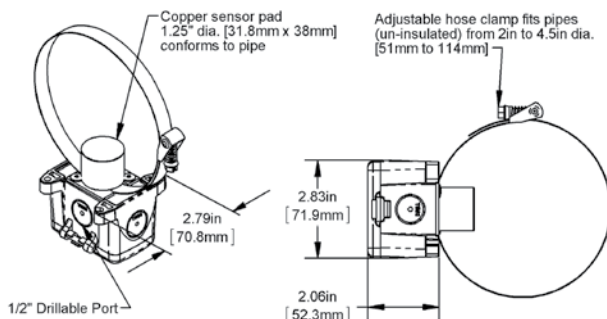
Accuracy	
Thermistor	±0.36°F (0.2°C)
RTD	±0.55°F (0.30°C)
Sensor Type	
Thermistor	10 kΩ Type II & III
RTD	100Ω, 1000Ω, 385 curve; 1000Ω, 375 curve
Temperature Range	32° to 158°F (-0° to 70°C)
Thermistor	
Temperature Output	Resistance
Accuracy	± 0.36°F (± 0.2°C)
Stability	< 0.036°F/Year (< 0.02°C/Year)
Heat Dissipation	2.7 mW/°C
Temperature Drift	< 0.02°C/Year
Probe Range	-40 to 221°F (-40 to 105°C)
RTD	
Stability	± 0.25°F (± 0.14°C)
Self Heating	0.4 °C/mW @0°C

Probe Range	-40 to 221°F (-40 to 105°C)
Nickel (Ni)	1000Ω @ 70°F, JCI curve
Ni Probe Range	-40 to 221°F (-40 to 105°C)
Enclosure Rating	
JB	NEMA 1, 2x4 steel handy box
BB	NEMA 4, BAPI Box IP66 rated UV-resistant plastic enclosure
BB2	NEMA 4, BAPI Box 2 IP66 rated UV-resistant plastic enclosure
BB4	NEMA 3R, BAPI Box 4 IP44 nylon and plastic enclosure
Mounting	Straps or Clamps to pipe
Wiring Terminations	22 AWG wire, etched teflon leads
Weight	
JB, BB4	0.75 lb (0.34 Kg)
BB, BB2	1.0 lb (0.45 Kg)
Approvals	CE, RoHS
Warranty	Lifetime

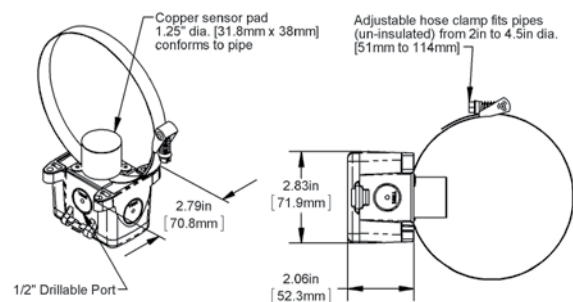
TEMPERATURE

19

DIMENSIONS



BA/10K2-J-BB4



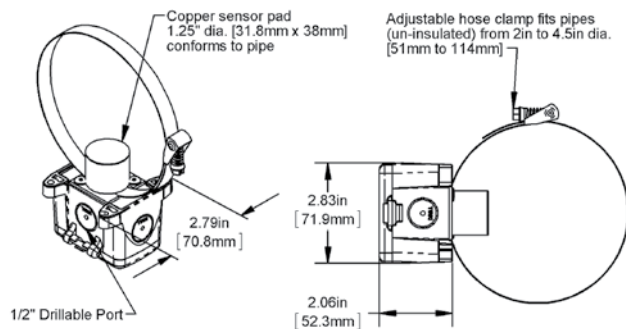
BA/10K2-S-JB

TEMPERATURE

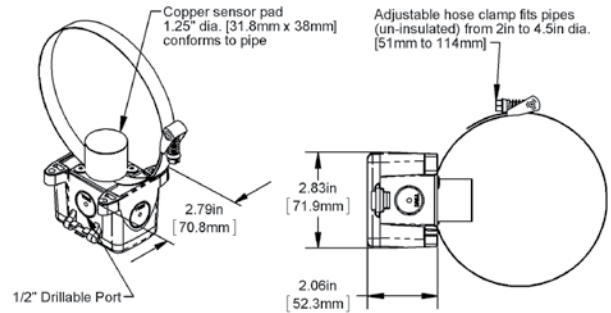
STRAP-ON THERMISTOR AND RTD SENSORS BA/ STRAP-ON SERIES



DIMENSIONS



BA/10K2-S-BB2



BA/10K2-S-BB

ORDERING INFORMATION

MODEL	DESCRIPTION
BA/	Probe temperature sensor
REQUIRED SENSOR TYPE	
10K2	10,000Ω thermistor @ 77°F (25°C), Type II
10K3	10,000Ω thermistor @ 77°F (25°C), Type III
100	100Ω RTD @ 32°F (0°C), 385 curve
1K	1000Ω RTD @ 32°F (0°C), 385 curve
1K375	1000Ω RTD @ 32°F (0°C), 375 curve
REQUIRED PROBE TYPE AND LENGTH	
S	Clamp-on for 2" to 4" dia. pipe and 1.25" copper plate pad
STP	Spring-loaded for 5" to 14.5" dia. pipe and 1.25" copper plate pad
REQUIRED MOUNTING ENCLOSURE	
JB	2" x 4" J-box with 1/2" knockouts
BB	BAPI-Box - IP66, NEMA 4 UV resistant polycarbonate (Not available for spring-loaded units)
BB2	BAPI-Box 2 - IP66, NEMA 4 UV resistant polycarbonate
BB4	BAPI-Box 4 - IP44, nylon and plastic

BA/ — 10K2 — S — JB

Example: BA/10K-2-S-JB BAPI Clamp-on 10,000Ω RTD thermistor with JB box

RELATED PRODUCTS

T85U-XR	1000 ohm, Type 85 4-20 mA temperature transmitter, custom rangeable
T81U-XR	100 ohm, Type 81 4-20 mA temperature transmitter, custom rangeable
T91U-XR	1000 ohm, Type 91 4-20 mA temperature transmitter, custom rangeable