

POWER MONITORING & PROTECTION



POWER/DATA SURGE PROTECTOR DTK-120SR, DTK-2MHL P



DESCRIPTION

The new **Model DTK-120SR** is an in-line, four-stage, power-line surge protector with EMI/RFI filtering. It is designed for mounting in an enclosure or control panel. Series installation eliminates the need to dedicate a circuit breaker for surge protection while allowing for installation flexibility. The 120SR meets stringent government and military specs for fire panel applications and is suitable for use on critical 20 Amp loads.

The **Model DTK-2MHL P** series of signal, data and loop circuit surge protectors provide robust protection in a compact package. Designed for ease of installation with convenient field-replaceable modules. The 2MHL P protects two circuit pairs per module. Applications include protection of 4-20mA current loops, alarm pane NAC, SLC and IDC loops, and burglar alarm panels.



DTK-120SR



DTK-2MHL P

FEATURES

DTK-120SR

- Series design for fast response and best protection
- Four-stage hybrid circuit design
- User replaceable fusing
- EMI/RFI filtering
- Compact design
- Screw terminals w/safety cover
- LED's for protection status, ground presence, ground fault indication and fuse status

DTK-2MHL PWB

- Multi-stage, SAD technology, hybrid design
- Hard-wire mounting base
- Field replaceable, hot swappable, modular edge card connection design
- Multiple voltage levels for variety of voice/data applications
- Two pairs protected per module, can be extended to ten pairs using a common ground using DTK-MB base



POWER MONITORING & PROTECTION

16

SPECIFICATIONS

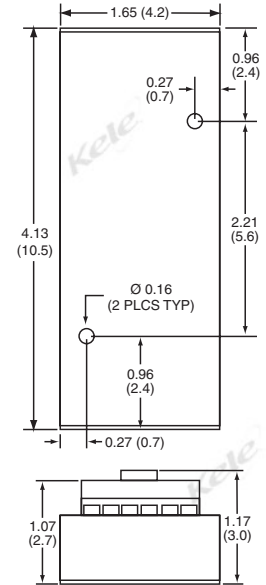
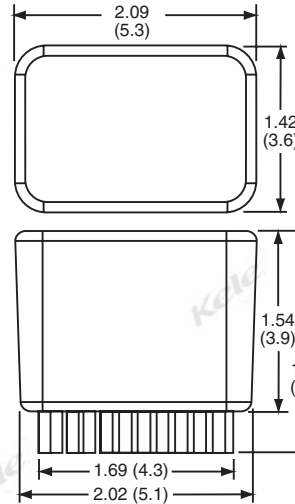
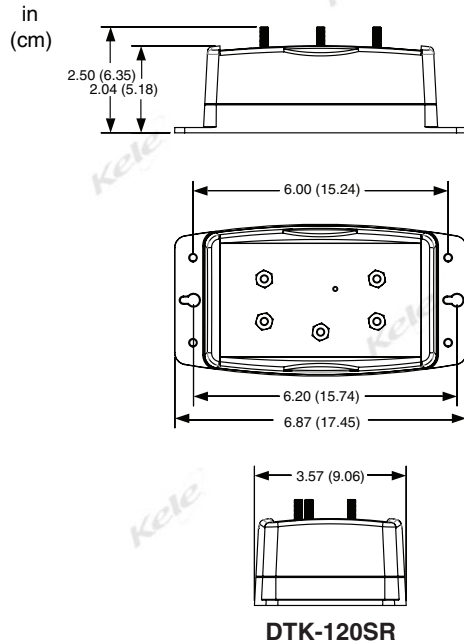
DTK-120SR		DTK-2MHL PWB	
Service Voltage	120V	Service voltage	
MCOV	150V	5B	0-5 VDC 36B 36 VDC
Suppressed Voltage		12B	12 VDC 48B 48 VDC
Rating	600V	24B	24 VDC 75B 75 VDC
Max Continuous Current	20A	MCOV/Let-Through Voltage	
EMI/RFI Attenuation	Up to 35dB, 100kHz-100MHz	5B	5/6.8 VDC 36B 48/57 VDC
Peak Surge Current	54,000 amps	12B	18/21.6 VDC 48B 64/76 VDC
Protection	L-N, L-G, N-G	24B	33/39 VDC 75B 90/108 VDC
Operating Temperature	32° to 104°F (0° to 40°C)	Max Continuous Current	5A
Dimensions	6.87"W x 3.50"H x 2.50"D (17.45 x 9.06 x 6.35 cm)	Peak Surge Current	20kA
Weight	0.76 lb (0.45 kg)	Data Rate	200kbps (5V) to 2Mbps (130V)
Approvals	UL1449, 3rd Edition	Protection	L-G (all lines protected)
Warranty	10-year limited	Connections	Edge card into DTK-MB mounting base
		Operating Temperature	-40° to 158°F (-40° to 70°C)
		Dimensions	2.1"H x 0.9"W x 1.4"D (5.3 x 2.3 x 3.6 cm)
		Weight	0.078 lb (0.036 kg) - with base
		Approvals	UL 497B, DTK-120SR Recognition, File # E328921, DTK-2MHL P UL File #E14557
		Warranty	10-year limited

POWER MONITORING & PROTECTION

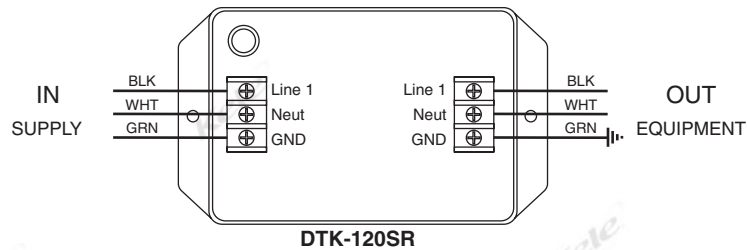
POWER/DATA SURGE PROTECTOR

DTK-120SR, DTK-2MHLP

DIMENSIONS

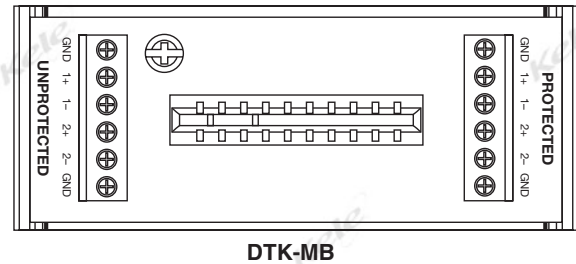


WIRING



Expected System Voltages			
120 VAC	L-N	L-G	N-G
Voltages	120	120	0

Note: If the DTK-120S15A is not installed inside the control panel/cabinet, provide an appropriate enclosure per NEC, NFPA, and all applicable codes.



ORDERING INFORMATION

MODEL	DESCRIPTION
DTK-2MHLP5BWB	Surge protector, 5 VDC data line with base
DTK-2MHLP12BWB	Surge protector, 12 VDC data line with base
DTK-2MHLP24BWB	Surge protector, 24 VDC data line with base
DTK-120SR	Surge protector, 120 VAC in-line, 20A continuous