

PANEL FABRICATION

PANEL RECEPTACLE & DISCONNECT SWITCH ASSEMBLIES

PDK, PRK

DESCRIPTION

The Kele panel receptacle and disconnect switch assemblies combine convenience and function. **Models PRK-S, PRK-FS, and PRK-FLS** provide constant power to the receptacle and can be used to power down the rest of the panel with the toggle switch. **Models PRK-FS and PRK-FLS** include a fuse holder for circuit protection (fuse sold separately). **Models PDK and PRK** use the standard single-gang configuration and the **Models PRK-FLS, PRK-FS, and PRK-S** use the double-gang configuration. The **51012218** offers DIN mounting and convenient push-on wiring.

FEATURES

- *Prewired*
- *Handy box included*
- *Cost effective*
- *Always hot receptacle*
- *Panel disconnect switch*
- *Pilot light option to indicate closed switch*

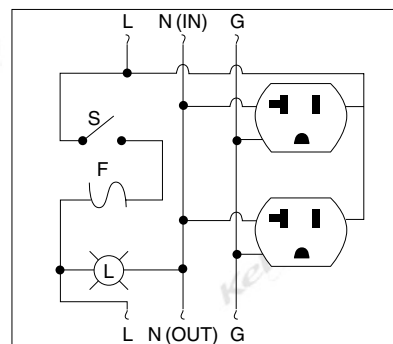
CAUTION: Receptacle is always hot.

SPECIFICATIONS

Supply Voltage	120 VAC
Current Rating	
Non-GFI	20A @ 120 VAC
GFI	15A @ 120 VAC
Switch	20A @ 120 VAC
Indicator	25 mA @ 120 VAC
Wire Type	12 AWG (UL) MTW 600V, 13 AWG (UL) MTW 600V
Fuse Size	250V (0-15A ordered separately)
Dimensions	
PDK, PDK-F, PRK, 51012218, PRK-GFI	4.75" H x 2.75" W (12.07 x 6.99 cm)
PRK-S, PRK-FS, PRK-FLS	4.50" H x 4.50" W (11.43 x 11.43 cm)
Warranty	1 year



WIRING



(Other units are wired similarly by option)

ORDERING INFORMATION

MODEL	DESCRIPTION
PDK	Panel disconnect switch assembly
PDK-F-2P	Panel disconnect switch assembly, 2 pole, 1 leg fused
PDK-L	Panel disconnect switch assembly with green light
PRK	Panel receptacle assembly
PRK-FLS	Panel switch and receptacle assembly with fuse holder and green light
PRK-FS	Panel switch and receptacle assembly with fuse holder
PRK-GFI	Panel receptacle assembly with GFI receptacle
PRK-S	Panel switch and receptacle assembly
51012218	Din mounted duplex receptacle

RELATED PRODUCTS

GF Series Fuses (fuses ordered separately)