

NETWORK & WIRELESS

BAPI WIRELESS RECEIVER AND REPEATER

BA/RCV-EZ AND BA/RPT-EZ

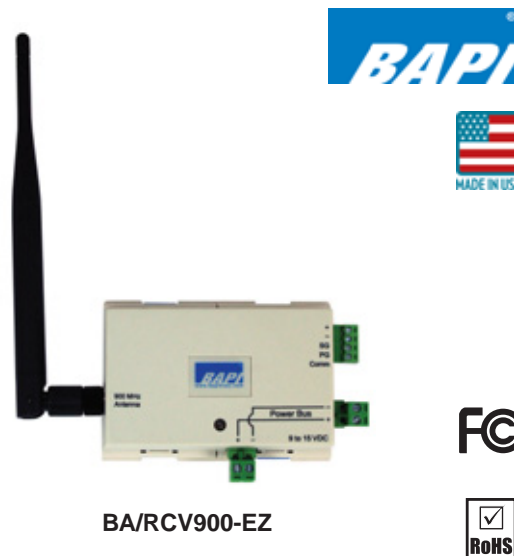
DESCRIPTION

The BAPI **BA/RCV Wireless Receivers** detect the radio signals from sensor transmitters or **BA/RPT** repeaters and send the value through a hard-wired RS485 bus to dedicated output modules. Each receiver can accommodate 127 output modules, which come in a variety of output types including thermistor simulation (10K Ω type 2 or 3), 4-20 mA, 0-5 VDC, 0-10 VDC, and solid-state switch. The **BA/RCV418** receives signals directly from sensor transmitters at 418 MHz. The **BA/RCV900** receives signals only from repeaters at 900 MHz.

The **BAPI BA/RPT Wireless Repeater** detects all 418 MHz sensor transmitter signals, and re-transmits the signal at 900 MHz to extend useable wireless distance to as far as 1000 feet. These signals are received with a **BA/RCV900** for RS485 communication distribution to the output modules.

OPERATION/APPLICATION

The receiver detects the wireless signal from one or more transmitters, then outputs the value through an RS485 communication line to attached output modules selected specifically for the input requirements. Module addressing is made simple by pushing a button on the output module and transmitter at the same time, thus completing a permanent wireless address link between transmitter and output module.



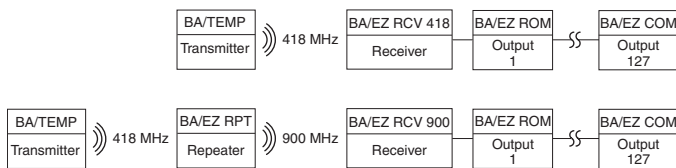
BA/RCV900-EZ

FEATURES

- Eliminates point wiring
- FCC license pre-approved
- Receivers accommodate 127 output modules each
- Receiver sensitivity -106 dBm minimum
- Built In error detection
- Repeater transmit power 100 mW
- 1000-foot repeater range (open air)
- Snap-track mounting

14

NETWORK & WIRELESS



* The transmission range from repeater to receiver is 1000 feet.

SPECIFICATIONS

Supply Voltage

RCV-418 17-30 VAC/VDC
RCV-900, RPT 9-15 VDC,

Supply Current

RCV-418 20 mA
RCV-900, RPT 150 mA

Frequency

RCV-418 418 MHz
RCV-900, RPT 900 MHz

Transmission Power

100 mW (repeater)

Range

RCV-418 100 ft
RCV-900, RPT 1000 ft

Receiver Sensitivity

RCV-418, RPT -106 dBm
RCV-900 -110 dBm

Operating Temperature 32° to 140°F (0° to 60°C)

Operating Humidity 5% to 95% RH (non-condensing)

Materials of Construction

ABS Plastic, UL94V-0

Dimensions

2.75"H x 4.8"W x 1.2"D
 (7.0 x 12.0 x 3.0 cm)

Weight

0.5 lb (0.2 kg)

Approvals

FCC ID#T4F16963N16964 (418 MHz models only) FCC CFR part 15.247 (900 MHz models)

RoHS Statement

Yes

Warranty

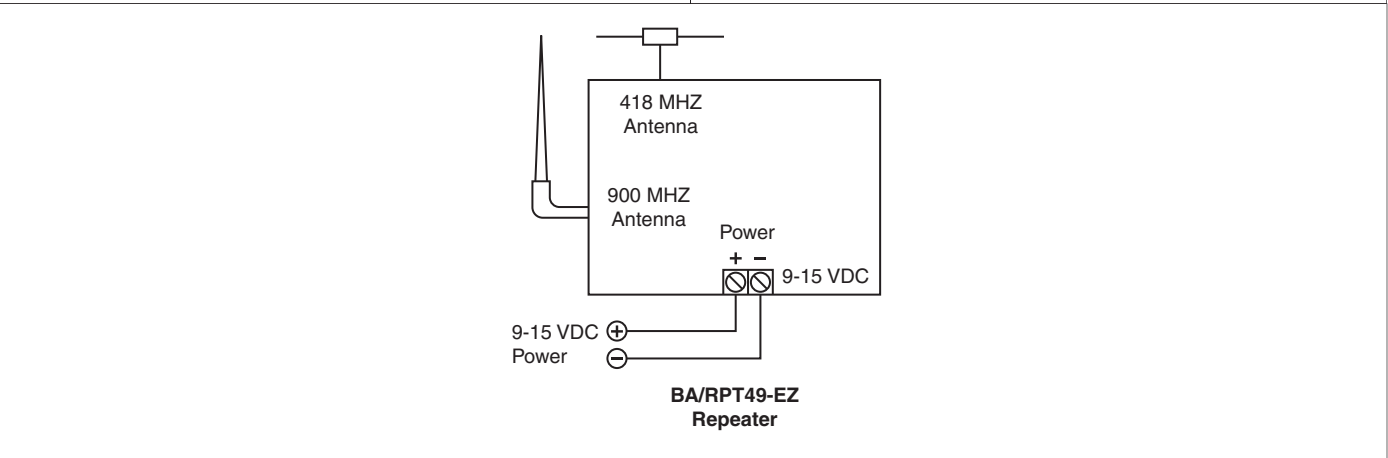
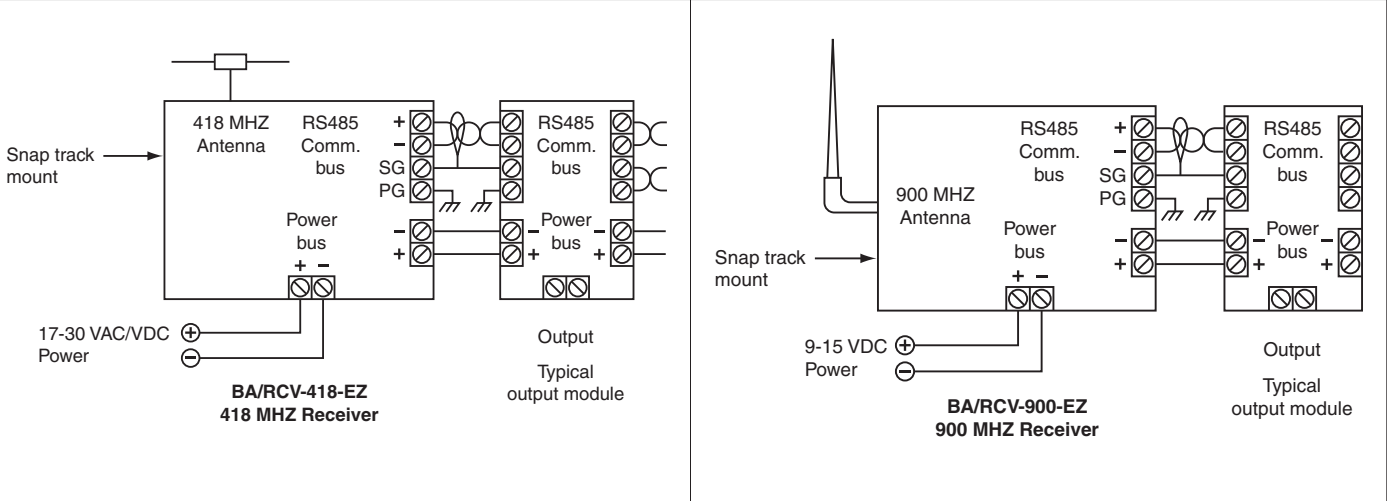
2 years



BAPI WIRELESS RECEIVER AND REPEATER

BA/RCV-EZ AND BA/RPT-EZ

WIRING



INSTALLATION / MOUNTING

Install horizontally at highest practical elevation. If installed in a metal enclosure, be sure the antenna is mounted outside enclosure, preferably on the top. A plastic enclosure will enable the antenna to be located within. Keep the RS485 bus as short as possible but definitely less than 4000 feet. Each PG terminal should be earth grounded. Shield is continuous through the Twisted Shielded Pair and each module.

ORDERING INFORMATION

MODEL

BA/RCV418-EZ

BA/RCV900-EZ

BA/RCV900-EA-EZ

BA/RPT49-EZ

DESCRIPTION

BAPI receiver for 418 MHz transmitter signals to RS485

BAPI receiver for RPT repeater 900 MHz signals to RS485

BAPI receiver for RPT repeater 900 MHz signals to RS485 with extendable antenna

9-15 VDC power BAPI repeater for 418 MHz signals with repeat at 900 MHz

BA/AOM-CONN

VC350-12

RELATED PRODUCTS

Pluggable terminal block kit

Power supply 24 VAC to 12 VDC, 350 mA