

Rev. 03/29/07

## Features & Options

- 8 Year Battery Life (with two 3.6 volt lithium batteries, full AA size)
- 100 foot range, extendable to 1,000 feet with Repeater
- Temperature and Humidity signals can be converted to Voltage, Current or Resistive Outputs for the Controller
- Watertight BAPI-Box Enclosure
- Medical-Grade Foam Padding, Etched Teflon Leadwires & Double Encapsulated Sensors
- 2 Year Warranty



**Wireless Duct Temperature and Humidity Transmitter**

BAPI Wireless Duct Temp. and Humidity Transmitters feature medical-grade closed cell foam to seal the probe insertion hole and to absorb vibration. Mounting feet allow for easy installation directly to the wall of the duct. The Duct Units come with etched teflon leadwires, double encapsulated sensors and a watertight BAPI-Box enclosure to withstand high humidity and condensation and perform under real world conditions.

The Wireless Duct unit measures the duct temperature and humidity and transmits the data through 418MHz RF to a receiver. It has a minimum in-building range of 100 feet and an estimated battery life of 8 years using two high-capacity 3.6V lithium batteries with a transmit rate of about once every 10 seconds. Each transmitter has a unique address with built in error detection. Each variable sent by the transmitter is picked up by the receiver and converted by a BAPI Analog Output Module to a voltage, current or resistance signal which is sent to the controller. The unit can be set up to trigger an alarm on the controller when the batteries need replacing.

**PART #: BAWTH-D-4** - Wireless Duct Temp. & Humidity Transmitter, 4" Probe Length

**PART #: BA/LI3620** - Lithium Battery 3.6V

## Specifications

**Supply Power:** Two 3.6V Lithium batteries, 8 year battery life at 10 second transmit rate

### Sensing Elements:

- Temp. - Semiconductor Band Gap,  
Proportional to Absolute Temperature,  $\pm 0.3^{\circ}\text{C}$
- Humidity - Capacitive Polymer,  $\pm 1.8\%$  RH Accuracy

**Transmitted Range:**  $-40^{\circ}$  to  $85^{\circ}\text{C}$

### Environmental Operation Range:

- Temp:  $-40^{\circ}\text{C}$  to  $100^{\circ}\text{C}$
- Humidity: 0% to 100% RH, non-condensing

**Enclosure Rating:** IP66

### Enclosure Material:

UV-Resistant Polycarbonate

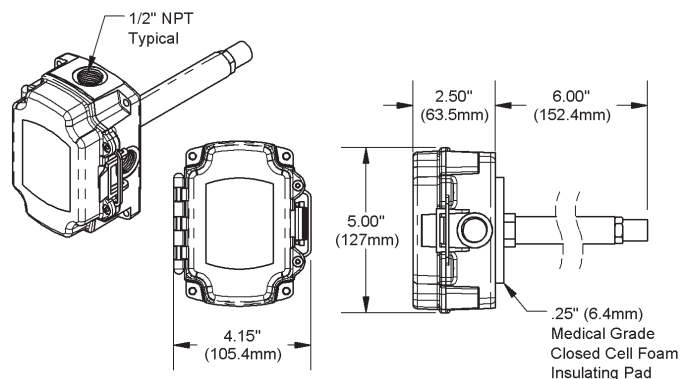
**Material Rating:** UL94 V-0

**Radio Frequency:** 418 MHz

**Transmitter Interval:** ~10 seconds

**Antenna:** Built inside the enclosure

**FCC Approval:** FCC ID# T4F16963N16964



**Wireless Duct Temperature and Humidity unit in a BAPI-Box (BB) Enclosure**