



Wireless Temperature Transmitter

Installation and Operating Instructions

17610_ins_wireless_temp_xmtr

Rev 10/06/2006

Overview

The BAPI Wireless Temperature Transmitter measures the room temperature and transmits the data through 418MHz or 433 MHz RF to a receiver. The transmitter is mounted in a BAPI-Stat 2 style enclosure and has an open-air range of 100 feet.

The transmit rate is approximately once every 10 seconds with an estimated battery life of 5 to 8 years using two high-capacity 3.6V lithium batteries. Each transmitter has a unique address with built in error detection. Each variable sent by the transmitter is picked up by the receiver and converted by a BAPI Analog Output Module to a voltage, current or resistance signal which is sent to the controller. The unit can be set up to trigger an alarm on the controller when the batteries need replacing.

Product Identification

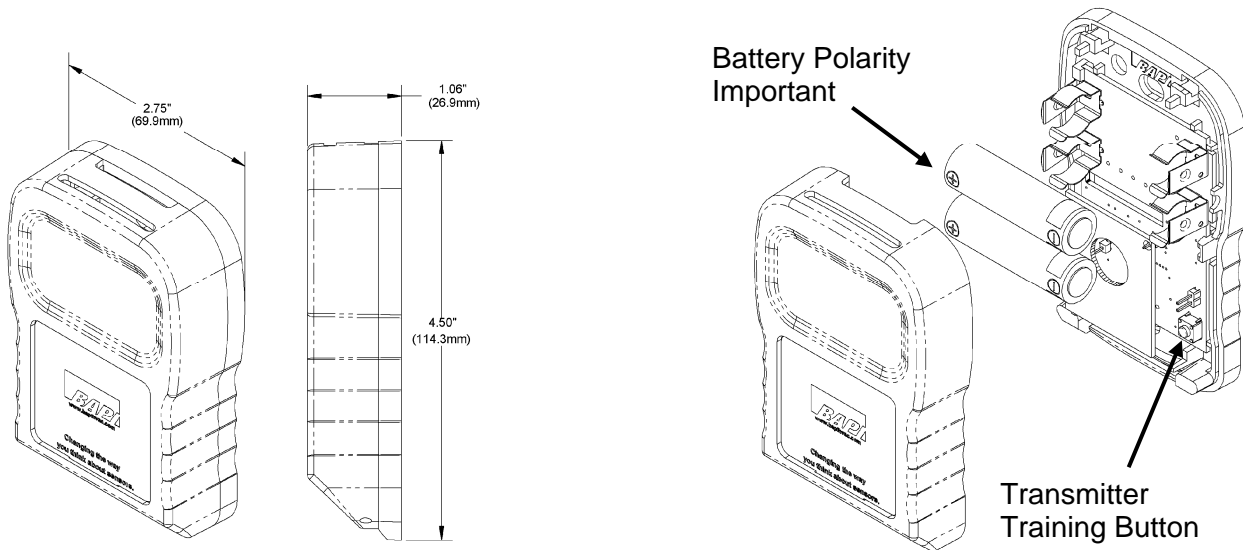


Figure 1: Wireless Temperature Transmitter

Tools and Materials

#2 Philips Screwdriver, 1/8" Screwdriver with 1/16" Allen wrench (BA/116W), Drill

Mounting

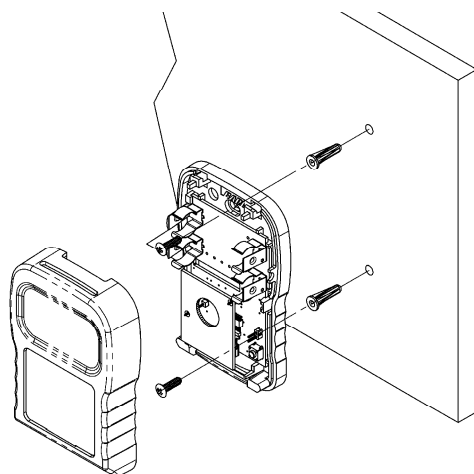


Figure 2: Drywall Mounting

Drywall Mounting

1. Place the base plate against the wall where you want to mount the sensor.
2. Using a pencil mark out the two mounting holes.
3. Drill two 3/16" holes in the center of each marked mounting hole. Insert a drywall anchor into each hole.
4. Secure the base to the drywall anchors using the #6 x 1 inch mounting screws provided.
5. Attach cover by latching it to the top of the base, rotating the cover down and snapping it into place.
6. Secure the cover by backing out the lock-down screws using a 1/16" Allen wrench until they are flush with the bottom of the cover.

Specifications subject to change without notice.



Wireless Temperature Transmitter

Installation and Operating Instructions

17610_ins_wireless_temp_xmtr

Rev 10/06/2006

Analog Output Module Training

1. Apply power to the receiver and output modules.
2. The power LED on the Receiver should light and remain lit. The powered analog output module's LED should flash and go out. (The flash is very quick.)
5. Remove the cover of the transmitter and install the batteries, observe polarity. The small LED at the bottom right, next to the Transmitter Training Button in Figure 1, should flash approximately once every 10 seconds. (The flash is very quick.)
6. Pick a transmitter and an analog output module you want to train to recognize one another. Press and hold the plastic service button on the top of the Output Module, at the same time press for one second and release the button on the transmitter. When the LED on the output module lights, release its button (The LED will go out when you release the button). The output module will now report the environmental conditions from the transmitter trained to it. The output module's LED will quickly flash whenever it receives an update from the transmitter.
7. Mount the transmitter at the desired location. If needed, remove the batteries to do so. The units will remain trained to one another through power failures and battery replacement.
8. Replace the transmitter's cover and back out the security screws.

Diagnostics

Possible Problems:

Temperature is reading its low limit

Temperature reading is coming out the wrong output module

Temperature is reading incorrectly

Possible Solutions:

Check wire from output modules to controller for proper connections and polarities.

Check to see if the controller's software is configured properly.

Check transmitter to see if its LED flashes about every 10 seconds. If not replace the batteries.

Check power to the receiver and output module.

Check output modules LED, if it is blinking fast

Check the associated transmitter's batteries

Retrain the modules

Retrain the modules.

Check wire from output modules to controller for proper connections and polarities.

Check to see if the controller's software is configured properly.

Check to see if the correct output module is connected to the right controller.

Specifications

Supply Power: BA/LI3620. Two 3.6V Lithium batteries, 5 to 8 year battery life at 10 second transmit rate

Inputs: Built in thermistor

Accuracy: ± 0.2 °C

Transmitted Range: -40° to 85°C

Environmental Operation Range:

Temp: 0° to 60°C

Humidity: 5% to 95% RH non-condensing

Material: ABS Plastic

Material Rating: UL94 V-0

Radio Frequency: 418 MHz or 433MHz

Transmitter Interval: ~10 seconds

Antenna: Built inside the enclosure

FCC Approval: FCC ID# T4F16963N16964 (418MHz only)

Specifications subject to change without notice.