



LIGHTING CONTROLS

PROGRAMMABLE LIGHTING CONTROL PANEL CX SERIES

DESCRIPTION

The **CX Series** Commercial Lighting Control Panels provide cost-effective lighting control for maximum energy savings. The LCD user interface is located in the door and utilizes simple and intuitive scrolling menus to program, check status or update the panel. The easy to use Pre-Programmed Scenarios Menu makes project commissioning simple and fast.

The CX panels can save up to 50% in labor and materials when used in place of conventional time clock and contactor combinations.

FEATURES

- Four relay panel sizes 4, 8, 16, and 24 relay spaces
- Five types of relays 20A/1P and 20A/2P, NO, NC (14K SCCR) and 30A/P latching (18K SCCR)
- Door mounted LCD user interface with keypad
- 365 day programming with 64 schedules
- Astronomical and real time clock
- Selectable pre-programmed scenarios
- Programmable inputs accept low voltage switches, photocells, or motion sensors
- Two low voltage dry contact output relays on 8 relay panel
- Program uploads via removable SD memory card



Building Automation, Inc.



CX Series



11

LIGHTING CONTROLS

SPECIFICATIONS

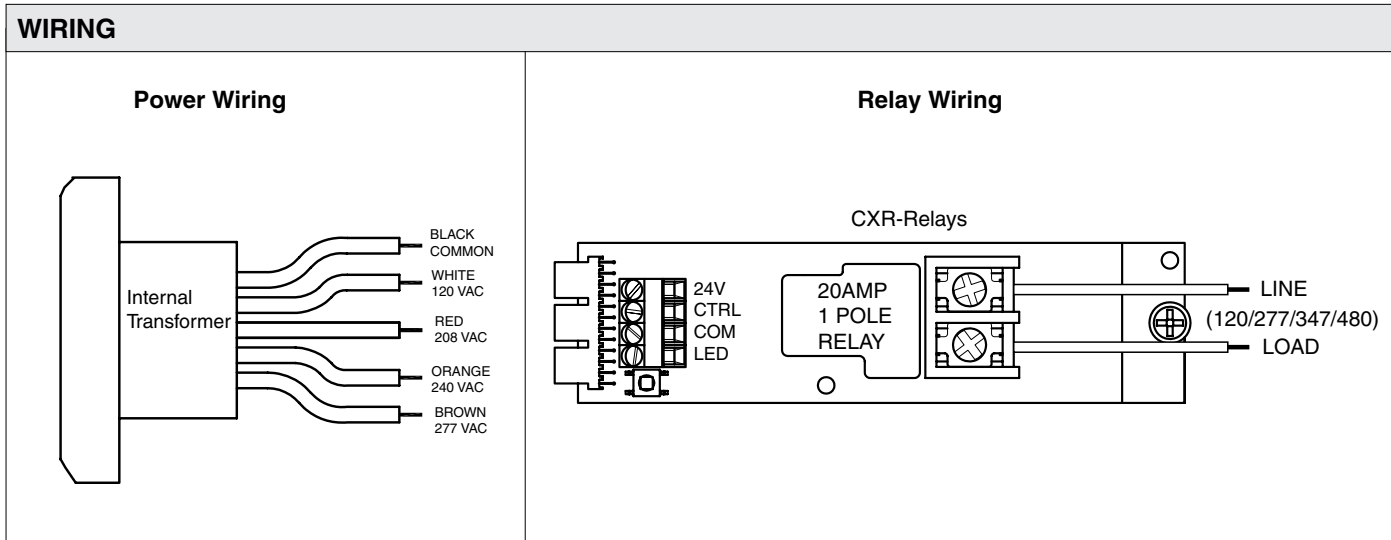
Supply Voltage	120/208/240/277 VAC
Digital Switch Inputs	6 standard, additional 1 input for each installed relay
Program Port	SD card
User Interface	Door mounted LCD graphical
Time Range	Real time clock and astronomical clock
Time Schedules	64 schedules with date range, 32 groups
Timing Functions	99 Holiday dates, 4 holiday schedules, recurring dates Open/Close time, after hour sweeps
Operating Temperature	32°-112°F (0°-50°C)
Operating Humidity	10% - 90% Non-condensing
Lockout	Hinged lockable door

Dimensions	
CX04, 08	17"H x 14.5"W x 4"D (43 x 37 x 10 cm)
CX16, 24	24"H x 20"W x 4"D (61 x 51 x 10 cm)
Enclosure Rating	NEMA 1
Mounting	Surface
Approvals	ETL, UL File E174097
Weight	
CX04	22 lb (10 kg)
CX08	28 lb (13 kg)
CX16	37 lb (17 kg)
CX24	40 lb (18 kg)
Warranty	2 years

Relay	Type	Poles	Supply Voltage	Contactor Tungsten	Contactor Ballast	Contactor Motor	Short Circuit Current Rating
CXR2N	Electrically Held, NO	1	120	15A	20A	1 Hp	14K
		1	277	n/a	20A	3/4 Hp	14K
CXR2C	Electrically Held, NC	1	120	15A	20A	1 Hp	14K
		1	277	n/a	20A	3/4 Hp	14K
CXR3L	Latching	1	120	20A	30A	1 Hp	18K
		1	277	n/a	30A	n/a	18K
		1	347	n/a	20A	n/a	18K
CXRTN	Electrically Held, NO	2	480	-	20A	2 Hp	14K
CXRTC	Electrically Held, NC	2	480	-	20A	2 Hp	14K

LIGHTING CONTROLS

PROGRAMMABLE LIGHTING CONTROL PANEL CX SERIES



ORDERING INFORMATION

Model	Relays Capacity	Relays Installed	Supply Voltage	Relay Type
Relay Panels				
CX042S042NN	4	4	120/208/240/277 VAC	20A/1P NO
CX042S043LN	4	4	120/208/240/277 VAC	30A/1P Latching
CX042S04TNN	4	4	120/208/240/277 VAC	20A/2P NO
CX042S00SPN	4	0	120/208/240/277 VAC	CXR Field Installed relay
CX043S043LN	4	4	120/277/347 VAC	30A/1P Latching
CX043S00SPN	4	0	120/277/347 VAC	CXR Field Installed relay
CX082S082NM	8	8	120/208/240/277 VAC	20A/1P NO
CX082S083LM	8	8	120/208/240/277 VAC	30A/1P Latching
CX082S08TNN	8	8	120/208/240/277 VAC	20A/2P NO
CX082S00SPM	8	0	120/208/240/277 VAC	CXR Field Installed relay
CX083S083LM	8	8	120/277/347 VAC	30A/1P Latching
CX083S00SPM	8	0	120/277/347 VAC	CXR Field Installed relay
CX162S162NM	16	16	120/208/240/277 VAC	20A/1P NO
CX242S242NM	24	24	120/208/240/277 VAC	20A/1P NO
CXR Relays				
CXR2N	-	-	120/ 277 VAC	20A/1P NO Electrically Held
CXR2C	-	-	120/277 VAC	20A/1P NC Electrically Held
CXR3L	-	-	120/277/347 VAC	30A/1P Latching
CXR2N	-	-	480 VAC	20A/ 2P NO Electrically Held
CXR2C	-	-	480 VAC	20A/2P NC Electrically Held