



# LEVEL & LEAK DETECTION

## GUIDED WAVE RADAR LEVEL TRANSMITTER

### LG10/11

#### DESCRIPTION

The Flowline EchoWave® LG10/11 general purpose radar level transmitter, offered with three different probe types, provides continuous level measurement up to 18' (5.5m) with a 4-20 mA signal output and is configured via our free WebCal software. This liquid level sensor is applied in non-turbulent environments with foam, vapor, condensation, temperature or pressure.

#### FEATURES

- Rugged 316L stainless steel probe and process mount
- Simple configuration via WebCal™ software
- Guided Wave Radar is unaffected by vapor, vacuum, foam, condensation, high temperature or pressure
- 4" (10cm) dead band enables utilization of the entire tank
- Fail-safe diagnostics with selectable signal outputs
- Disturbance scanning that maps the recognition, storage and rejection of false echo signal returns
- Rugged NEMA 4 aluminum enclosure

NEW!



LG10-0

LG10-1

LG11-2



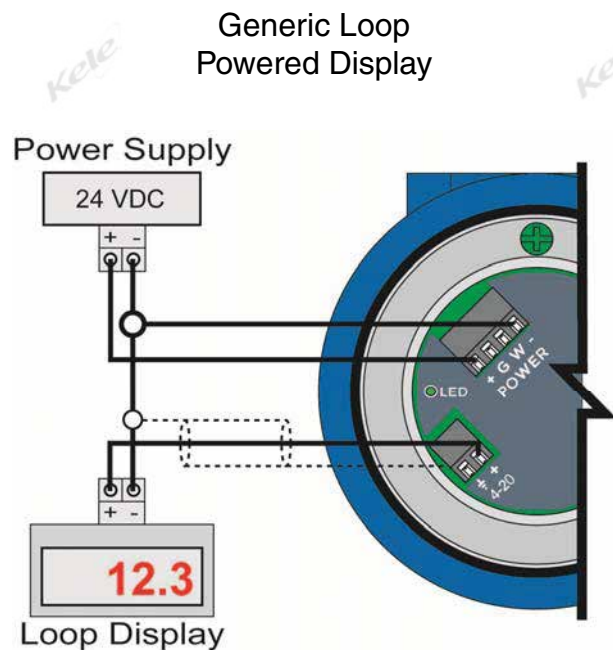
10

LEVEL & LEAK DETECTION

#### SPECIFICATIONS

Supply Voltage	10-30 VDC @ 50 mA
Accuracy	± 3mm
Repeatability	<2mm
Resolution	<2mm
Signal Output	4-20 mA @ 461Ω (3 wire)
Configuration	WebCal™ PC Software
Fail Safe	20.5 mA, 22 mA, or 3.9 mA
Deadband	Top 4" (10cm) Bottom 2" (5cm)
Range	Rod / Coaxial: 9.8' (3.0m) Cable: 18.0' (5.5m)
Conduit Entrance	(1) 1.2" NPT connector
Pressure	-14.5 to 250 psig (-1 to 17 bar)
Process Temperature	-40° to 302°F (-40° to 150°C)
Operating Temperature	-40° to 185°F (-40 to 85°C)
Operating Humidity	< 95%, non-condensing
Feed Through Material	316L SS and PEEK
Enclosure Rating	Aluminum, NEMA 4, IP67
Probe Material	Rod / Coaxial: 316L SS Cable: 316 SS
Process Mount	3/4" NPT or 3/4" G
Classification	General purpose
Approvals	CSA / NRTL, CE, CRN, RoHS
Weight	Model specific
Warranty	2 years

#### WIRING



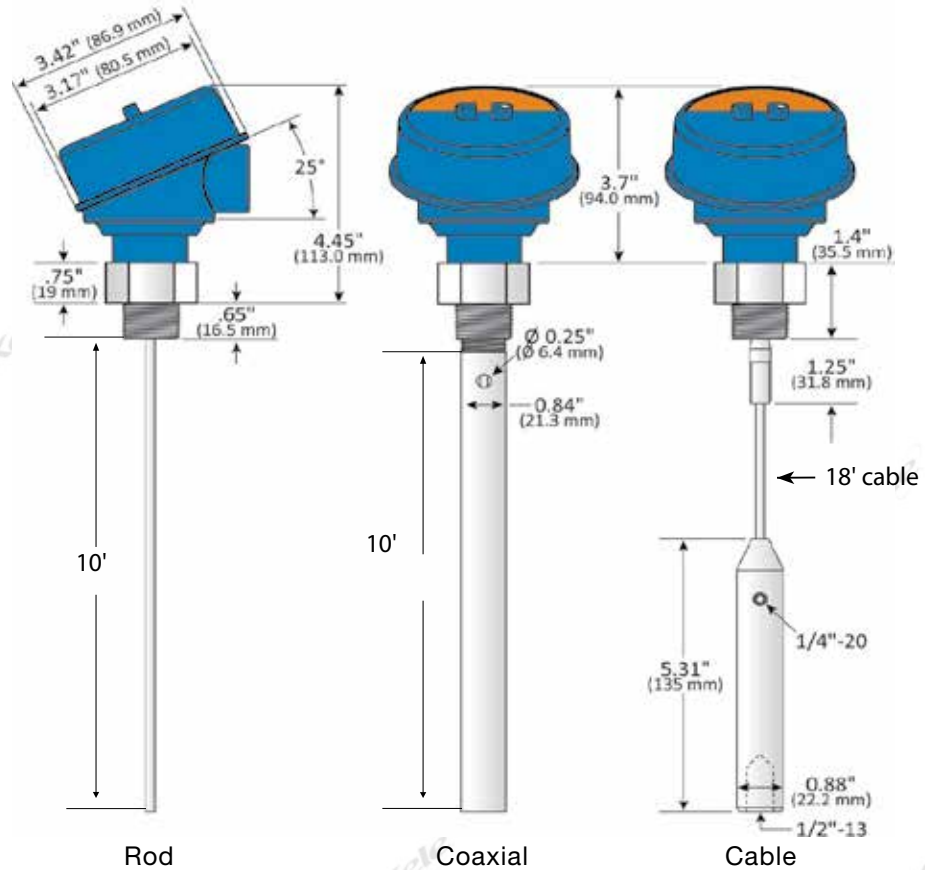
NEW!

# LEVEL & LEAK DETECTION

## GUIDED WAVE RADAR LEVEL TRANSMITTER LG10/11



### DIMENSIONS



### ORDERING INFORMATION

#### MODEL

**LG10-0003-00**  
**LG10-0003-01**  
**LG10-1003-00**  
**LG10-1003-01**  
**LG10-1103-00**  
**LG10-1103-01**  
**LG10-2003-00**  
**LG10-2003-01**

#### DESCRIPTION

Guided wave radar level transmitter stainless steel rod 3/4" NPT no FOB  
 Guided wave radar level transmitter stainless steel rod 3/4" NPT with FOB  
 Guided wave radar level transmitter stainless steel coaxial rod 3/4" NPT no FOB  
 Guided wave radar level transmitter stainless steel coaxial rod 3/4" NPT with FOB  
 Guided wave radar level transmitter galvanized coaxial rod 3/4" NPT no FOB  
 Guided wave radar level transmitter galvanized coaxial rod 3/4" NPT with FOB  
 Guided wave radar level transmitter stainless steel cable 3/4" NPT no FOB  
 Guided wave radar level transmitter stainless steel cable 3/4" NPT with FOB

#### ACCESSORIES

**LM51-1S00**  
**LM51-2S00**  
**LM51-1800**  
**LI99-1001**

Reducer bushings 1" x 3.4", 3/16 stainless steel  
 Reducer bushings 2" x 3.4", 3/16 stainless steel  
 Reducer bushings 1" x 3.4", PVC sch 80  
 Webcal Configuration

10

LEVEL & LEAK DETECTION