



HUMIDITY

ROOM, DUCT, AND OSA 5% HUMIDITY TRANSMITTERS KHS SERIES

DESCRIPTION

The KHR, KHD, and KHO Series 5% humidity transmitters are specifically designed for use in HVAC/BAS applications. These instruments measure relative humidity from 0% to 100%. The standard two-wire, 4-20 mA output provides low-cost humidity monitoring for building control. The RH transmitters are available with thermistor or RTD temperature sensors. They come in room (KHR), duct (KHD), and OSA (KHO) mounting styles.

NEW!



FEATURES

- Calibration-free interchangeable sensors
- Twelve-point computerized calibration



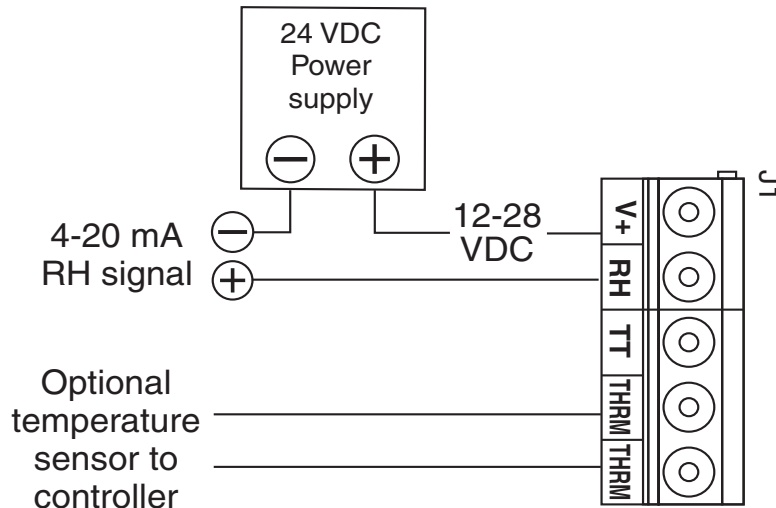
10

SPECIFICATIONS

Accuracy	±5% RH from 0° to 70°C, 5% to 95% non-condensing	Enclosure	
Stability	<±0.5% drift per year	Room	White plastic, UL94HB
Thermal Effect	Temperature compensated with <0.008% RH per °C	Duct	Metal handy box
Supply Voltage	8.5-28 VDC	OSA	NEMA 3R plastic box
Signal Output	4-20 mA = 0% to 100% RH, two-wire, loop-powered Passive temperature output: All Kele standard thermistors and RTDs	Probe	
Maximum Output Impedance	(Supply voltage - 8.5 VDC) / 0.02, 775Ω @ 24 VDC	Duct	1/2" aluminum tube with expanded Teflon® filter
Sensing Technology	Precon HS-2000 capacitive	OSA	1/2" aluminum tube with 40 micron stainless steel sintered filter
Operating Temperature	-22° to 185°F (-30° to 85°C)	Wiring Terminations	Screw terminals
		Approvals	CE
		Weight	
		Room	0.2 lb (.084 kg)
		Duct/OSA	1 lb (0.45 kg)
		Warranty	18 months

HUMIDITY

WIRING



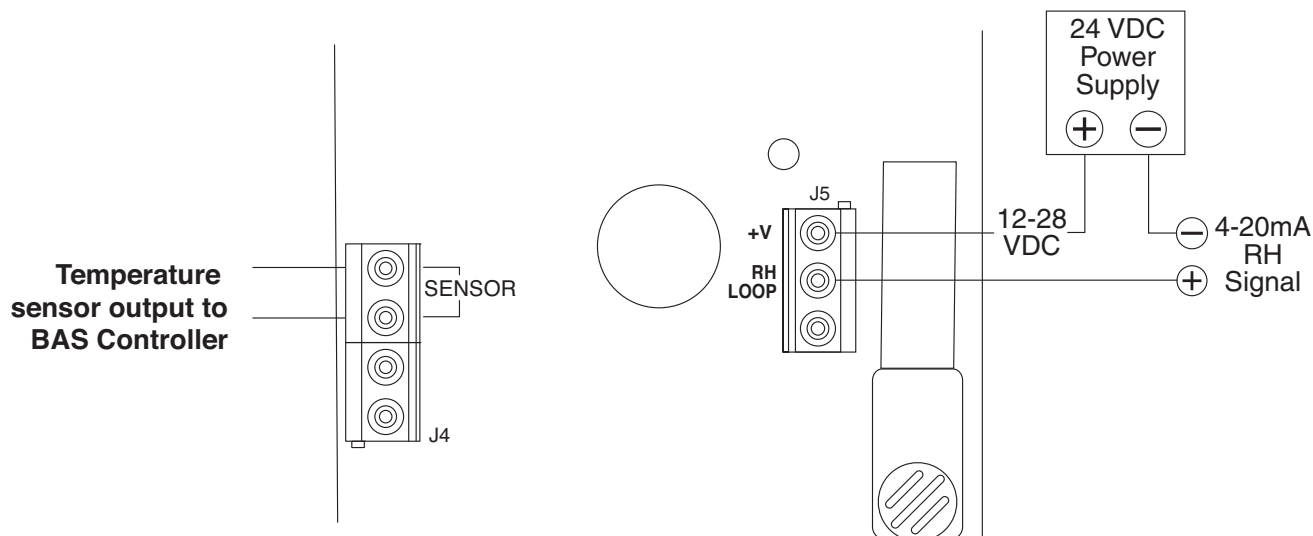
NEW!



ROOM, DUCT, AND OSA 5% HUMIDITY TRANSMITTERS

KH5 SERIES

INSTALLATION



10

ORDERING INFORMATION

MODEL	DESCRIPTION
KHD5	Duct mounted 5% humidity transmitter
KHO5	Outside air 5% humidity transmitter
KHR5	Wall mounted room/space 5% humidity transmitter
Optional temperature ranges	
T3	10,000Ω thermistor @ 77°F (26°C), Type III
T21	2252Ω thermistor @ 77°F (26°C), Type II
T22	3000Ω thermistor @ 77°F (26°C), Type II
T24	10,000Ω thermistor @ 77°F (26°C), Type II
T27	100,000Ω thermistor @ 77°F (26°C), Type II
T42	20,000Ω thermistor @ 77°F (26°C), Type IV
T81	100Ω RTD @ 32°F (0°C), 381 platinum curve
T85	1000Ω RTD @ 32°F (0°C), 385 platinum curve
T91	1000Ω RTD @ 32°F (0°C), 375 platinum curve
OPTIONS	
CL1	Custom one color logo, KHR5 only
J1	RJ11 externally-accessible communication jack (CCRJ11AD required), KHR5 only
J2	Internal RJ11 communication jack, KHR5 only
LCD	LCD digital humidity display, KHR5 only
LED	LED indicator lamp 24V AC/DC green, KHR5 only
MB	Momentary pushbutton switch, jumpered across sensor or pot (JP1), KHR5 only
WP	Weatherproof housing, KHD5 only

KHD5 — **T3** — **WP**

Example: KHD5-T3-WP Duct mounted 5% humidity transmitter with 10,000Ω thermistor @ 77°F (26°C), Type III and weatherproof housing

HUMIDITY