



Features & Options

- Low Profile Delta Style Enclosure
- Humidity Only or Temp./Humidity Combo
- Optional Display
- 2% and 3% RH Accuracies
- Optional Communications Jack
- User Adjustable Toggle Rate Between Temperature and Humidity
- Wide Selection of Temperature Sensing Elements
- Full-range Temperature Compensation of RH Signal
- Two Year Warranty



Delta Style Enclosures with and without Display

The Delta Style room units are available as Humidity Only sensors or as Combination temperature and humidity sensors. The Delta Style enclosure features an optional display with a user adjustable toggle rate between humidity and temperature and can display in either °C or °F.

The unit is available with the entire line of BAPI temperature sensors. If a temperature transmitter and humidity transmitter are desired, then see the “X-Combo” Unit on pages B12-13 of this section.

For detailed specs on the individual Sensors & Transmitters, turn to the “Sensors” section.

* All Passive Thermistors 10K Ω and smaller are CE compliant.

The **BAPI-Guard**

- Prevents Tampering and Unauthorized Adjustment
- Exceptional Airflow
- Available in Two Sizes



(See Accessories for more info.)

Specifications

Power: 10 to 35 VDC (0 to 5 VDC or 4 to 20 mA Outputs)
 15 to 40 VDC (0 to 10 VDC Output)
 12 to 24 VAC (0 to 5 VDC Output)
 15 to 28 VAC (0 to 10 VDC Output)

Note: If AC power is used, it must be shielded from the signal wiring

Power Consumption:

22 mA max. DC (0 to 5 VDC or 4 to 20 mA Outputs)
 6 mA max DC (0 to 10 VDC Output)
 0.53 VA max. AC (0 to 5 VDC Output)
 0.14 VA max. AC (0 to 10 VDC Output)

Sensing Elements:

Temperature - Thermistor, RTD or Semiconductor
 Humidity - Capacitive Type, ±2% or ±3% RH, 20 to 80% @ 25°C

RH Calb. Adjustment: ±5% POT

Wiring: 2 to 3 pair of 16 to 22 AWG**

Mounting: Standard 2"x4" J-box or drywall mount - screws provided

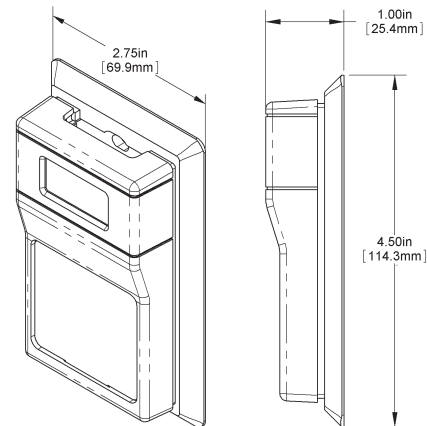
Environmental Operation Range:

Temperature: 32 to 122 °F (0 to 50 °C)
 Humidity: 5 to 95%, non-condensing

Material: ABS Plastic

Material Rating: UL94 HB

Agency: RoHS and CE* (for transmitters and select thermistors)



**BAPI recommends that you do not run wiring for the room units in the same conduit as line voltage wiring or with wiring used to supply highly inductive loads such as motors, generators and coils.





Rev. 08/27/13

Delta Style Room Units

Humidity & Combination Temp/Humidity Sensors

B15



Ordering Information		Delta Style Room Unit, Humidity only or Temp./Humidity Combo			
BA/					
	Optional Temp. Sensor	Use the designator number, shown to the left in bold. Omit if ordering humidity only			
##-		THERMISTORS		RTDs	
	1.8K	1.8K Ω @ 25 °C	100	100 Ω Platinum @ 0 °C, .385 Ω/°C temp. coeff.	
	2.2K	2.2K Ω @ 25 °C	1K [375]	1K Ω Platinum @ 0 °C, 3.75 Ω/°C temp. coeff.	
	3K	3K Ω @ 25 °C	1K[NI]	1K Ω Nickel @ 21°C, 5 Ω/°C temp. coeff.	
	3.25K	3.25K Ω @ 25 °C (T30 type)	1K	1K Ω Platinum @ 0 °C, 3.85 Ω/°C temp. coeff.	
	3.3K	3.3K Ω @ 25 °C	2K	2K Ω Silicon @ 20 °C, 8 Ω/°C temp. coeff.	
	10K-2	10K Ω @ 25 °C			
	10K-3	10K Ω @ 25 °C			
	10K-3[11K]	5,238 Ω @ 25 °C			
	20K	20K Ω @ 25 °C			
	47K	47K Ω @ 25 °C	334	LM334 Semiconductor	
	50K	50K Ω @ 25 °C	592	AD592 Semiconductor, 273 μA @ 0 °C	
	100K	100K Ω @ 25 °C			
		SEMICONDUCTORS			
		TEMPERATURE TRANSMITTERS			
		See X-Combo Unit on pages B12-13			
	Humidity Transmitter	Must select one			
	H200	±2% Humidity Transmitter with Interchangeable Output of 0 to 5 V or 4 to 20 mA*			
	H210	±2% Humidity Transmitter with 0 to 10 V Output			
	H300	±3% Humidity Transmitter with Interchangeable Output of 0 to 5 V or 4 to 20 mA*			
	H310	±3% Humidity Transmitter with 0 to 10 V Output			
		Delta Style Enclosure	Must select		
		-R	Delta Style Room Enclosure		
			Optional LCD Display	Omit if ordering a unit without display	
			D	LCD Display	
				Optional Test & Balance	Skip if not required
			-TB	Three Position Switch - "Low" & "High" values vary, "Normal" is live sensor value. Call for details.	
				Optional Comm. Jack	Mounted in unit's base
			-C35L	3.5 mm Phono Jack w/ Leads Attached	
			-C35LT	3.5 mm Phono Jack w/ Leads & Terminal Block	
				Optional Copla White Enclosure (Warm White is Standard)	
			-CPW	Copla White Enclosure Color	
EXAMPLE					
BA/	10K-2	H200	-R	D	-C35L
Example Part Number: BA/10K-2-H200-RD-35L					
Your Part Number:					

*DC input voltage is required for current output.

See the "X-Combo" Unit on page B12-13 for more Temperature Transmitter & Humidity Transmitter combination options.
Call BAPI if you have questions about the above ordering grid or the configuration of the product you are ordering.

