



# HUMIDITY

## 2% WALL, DUCT AND OSA HUMIDITY TRANSMITTERS BA/H200 SERIES

### DESCRIPTION

The **BAPI BA/H200 Series ±2% Accuracy Humidity Transmitters** from BAPI are designed specifically for HVAC systems. Room sensors are available in the traditional Delta style enclosure or the new BAPI STAT 4. All Duct Units feature medical-grade closed cell foam to seal the probe insertion hole and to absorb vibration. All Outside Air Units have etched Teflon leadwires and are built to withstand high humidity and condensation and perform under real world conditions. Duct and OSA units are available in weatherproof enclosures selectable from IP66 or NEMA 3R. RH transmitter outputs include 4-20 mA, 0-5V, and 0-10V with replaceable sensor tips.



Delta-Style Enclosure



BAPISat 4 Enclosure



BAPISat 4 with Display



BAPIBox 2 Enclosure



NEMA 4 (BB) Duct Unit



Weatherproof (WP) Duct Unit



OSA DBB2

### FEATURES

- Popular room housing
- 2% Accuracy
- Duct and OSA NEMA 4 housing
- 24 VDC or 24 VAC power (field-selectable)
- 4-20 mA, 0-10V, or 0-5V signal (field-selectable)
- Field calibratable
- Optional temperature sensor available
- Optional room display
- Optional setpoint available
- Optional override button available

9

HUMIDITY

### SPECIFICATIONS

Accuracy	2% from 20% to 95% RH
Supply Voltage	15-28 VAC/VDC
Signal Output	4-20 mA @ 700Ω, 0-5/10 VDC @ 10kΩ min
Sensing Technology	Resistive with ceramic substrate
Sensor Protection	
Room	Room Gore-Tex®
Duct/OSA	80 micron stainless steel sintered filter
Operating Humidity	0-100%, non-condensing
Operating Temperature	
Room	32° to 122°F (0° to 50°C)
Duct/OSA	-40° to 158°F (-40° to 70°C)
Enclosure Rating	
Room	BAPI stat 4/Delta: NEMA 1, ABS Plastic, UL94V-0

Duct/OSA	
BAPIBox (BB)	NEMA 4, IP66, UV resistant polycarbonate
BAPIBox II (BB2)	NEMA 4, IP66, UV resistant polycarbonate
WP	NEMA 3R, Weatherproof, cast aluminum
Wiring Terminations	Four wire, 16 to 22 AWG terminals
Weight	
Room	0.25 lb (0.11 Kg)
OSA/Duct	
BB/BB2	1.0 lb (0.45 Kg)
WP	1.3 lb (0.59 Kg)
Approvals	CE, RoHS
Warranty	2 years

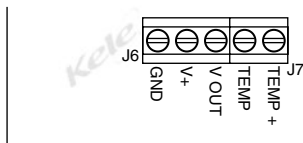
### WIRING

#### 4 TO 20 mA TERMINATION

Terminal Legend	Function
GND	4 to 20 mA signal (to analog input of controller)
V+	+15 to +26 VDC
TEMP	Optional temperature sensor
TEMP	Optional temperature sensor

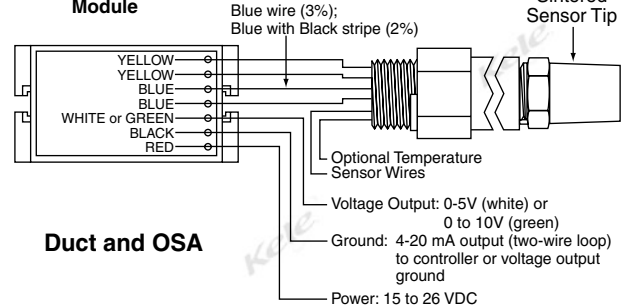
#### 0 TO 5 VDC TERMINATION

Terminal Legend	Function
GND	To controller ground (GND or common)
V+	+15 to +26 VAC/VDC
V OUT	0 to 5 VDC or 0 to 10V signal (to analog input of controller)
TEMP	Optional temperature sensor
TEMP	Optional temperature sensor



Room Humidity Circuit Board

#### Humidity Transmitter Module



Duct and OSA



## BAPI ROOM DUCT, AND OSA HUMIDITY TRANSMITTERS BA/H200 SERIES

### ORDERING INFORMATION

BAPI ROOM HUMIDITY TRANSMITTER	
MODEL	DESCRIPTION
BA/H200R	2% Humidity Transmitter, 4-20 mA output, Delta enclosure
BA/H210R	2% Humidity Transmitter, 0-10 VDC output, Delta Enclosure
BA/H220B4XZCG	2% Humidity Transmitter, 4-20 mA output, BAPI STAT 4
BA/H205B4XZCG	2% Humidity Transmitter, 0-5 VDC output, BAPI STAT 4
BA/H210B4XZCG	2% Humidity Transmitter, 0-10 VDC output, BAPI STAT 4
BA/H212B4XZCG	2% Humidity Transmitter, 2-10 VDC output, BAPI STAT 4
DISPLAY OPTION (optional)	
D	LCD Display
F	Delta (BAPI STAT 4)

**Example:** BA/H220B4XZCGDF 2% Room humidity transmitter, 4-20 mA output, BAPI STAT 4 with LCD display

BAPI DUCT HUMIDITY SENSOR	
MODEL	DESCRIPTION
BA/H200	2% Humidity w/ Interchangeable Output of 0-5 VDC or 4-20 mA output
BA/H210	2% Humidity, 0-10 VDC output
BA/H212	2% Humidity, 2-10 VDC output
ENCLOSURE OPTION (Must choose one)	
DBB	BapiBox Enclosure, IP66 Rated, UV Resistant Polycarbonate
DBB2	BapiBox2 Enclosure, IP66 Rated, UV Resistant Polycarbonate
DWP	Weatherproof Enclosure, NEMA 3R Rated Metal Enclosure

**Example:** BA/H200DBB2 2% Duct mount humidity transmitter, 4-20 mA output, BB2 enclosure

BAPI OSA HUMIDITY SENSOR	
MODEL	DESCRIPTION
BA/H200	2% Humidity w/ Interchangeable Output of 0-5 VDC or 4-20 mA output
BA/H210	2% Humidity, 0-10 VDC output
BA/H212	2% Humidity, 2-10 VDC output
ENCLOSURE OPTION (Must choose one)	
OBB	BapiBox Enclosure, IP66 Rated, UV Resistant Polycarbonate
OBB2	BapiBox2 Enclosure, IP66 Rated, UV Resistant Polycarbonate
OWP	Weatherproof Enclosure, NEMA 3R Rated Metal Enclosure

**Example:** BA/H200OWP 2% OSA mount humidity transmitter, 4-20 mA output, weather proof housing

### RELATED PRODUCTS

<b>BA/ADP-525-7-CPW</b>	Copla white 7" x 5.25" adaptor plate
<b>BA/ADP-525-7-OFW</b>	Off white 7" x 5.25" adaptor plate
<b>BA/ADP-525-7-WMW</b>	Warm white 7" x 5.25" adaptor plate
<b>BA/FOAMBACK</b>	White foam back insulator
<b>DCP-1.5-W</b>	Power supply, 24 VAC IN to 24 VDC OUT
<b>DCPA-1.2</b>	Power supply, 120 VAC In to 24 VAC/24 VDC Out
<b>UR</b>	Moisture-resistant three-wire butt splice