



# GAS & SPECIALTY SENSORS

## TOXIC AND COMBUSTIBLE GAS DETECTOR

### GDC150

#### DESCRIPTION

The all new **GDC150 transmitter** from **Bacharach** offers detection and protection for a wide range of hazards including toxic gases such as carbon monoxide (CO), oxygen depletion, combustible gases, refrigerant leaks and total volatile organic compounds (TVOCs).

The **GDC150** features 4-20 mA or 0-10 VDC linear output signals, an automatic thermal resetting fuse, RoHS compliant circuit boards and LED indicators for power and open loop. The onboard alarm LED's indicate when alarm threshold values are exceeded. The **GDC150** is packaged in a rugged, polycarbonate housing for both indoor and outdoor applications. Automated calibration and simple maintenance procedures performed in the field allow for continuous operation and high performance.



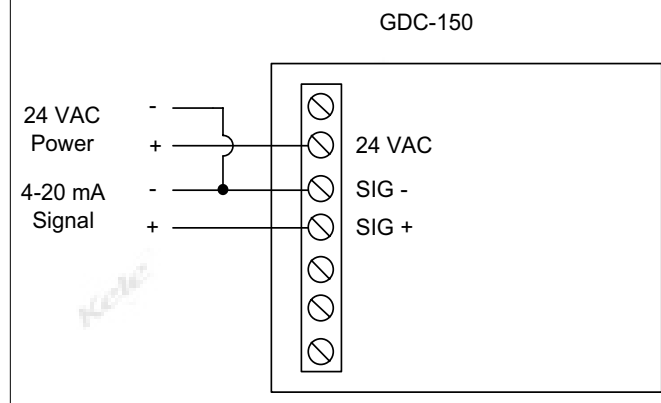
7

GAS & SPECIALTY SENSORS

#### FEATURES

- **Wide range of gases detected**
- **4-20 mA or 0-10 VDC signal**
- **LED indicators**
- **Alpha numeric LED display**
- **NEMA 4X or standard housing**
- **Automated calibration**

#### WIRING



#### SPECIFICATIONS

<b>Supply Voltage</b>	12-30 VAC @ 2.9 VA, 50/60 Hz or 16-30 VDC @ 120 mA (non-ground reference supply only)	<b>Wiring Terminations</b>	NEMA 4X: Water and dust-tight, corrosion resistant polycarbonate with hinged, secured door VDC 3 conductor shielded VAC 4-conductor shielded
<b>Signal Output</b>	4-20 mA @ 1000Ω or 0-10 VDC, jumper selectable	<b>Operating Humidity</b>	0-90% RH Non-condensing
<b>Sensing Technology</b>	Electrochemical, Solid State, Catalytic Bead, Photoionization Detector (PID)	<b>Operating Temperature</b>	-4° F to 104° F (-20° C to 40° C)
<b>Visual Indication</b>	LED: Green = power, Red = alarm, Flashing Red = fail Amber LED, internal relay coil status indicator (only supplied with relay option) Red LED 4-20 mA "open loop" indicator for remote transmitter	<b>Dimensions Standard</b>	4.43" L x 6.5" W x 2.54" D (11.3 x 16.5 x 6.5 cm)
<b>Enclosure Rating</b>	Standard: Rugged PVC with hinged, secured, drip-proof door	<b>NEMA 4X</b>	5.0" L x 5.0"W x 3.0"D (12.5 x 12.5 x 3.0 cm)
		<b>Approvals Weight Standard</b>	C-Tick Certified 1.0 lb (0.5 kg)
		<b>NEMA 4X Weight</b>	1.3 lb (0.6 kg)
		<b>Warranty</b>	1 year

# GAS & SPECIALTY SENSORS

## TOXIC AND COMBUSTIBLE GAS DETECTOR

**GDC150**



### ORDERING INFORMATION

MODEL	DESCRIPTION
GDC15001	Wall mount gas detector
<b>Enclosure option</b>	
1	Standard Enclosure
3	NEMA 4X enclosure w/splash guard
<b>Feature Options</b>	
0	No option
1	LED numeric display
<b>Sensor options</b>	
01	Carbon Monoxide (CO) 0-200 ppm
02	Hydrogen Sulfide (H2S) 0-50 ppm
03	Oxygen (O2) 0-25% Volume
04	Nitrogen Dioxide (NO2) 0-10 ppm
05	Ammonia (NH3) 0-500 ppm
06	Nitric Oxide (NO) 0-100 ppm
09	Sulfur Dioxide (SO2) 0-20 ppm
13	Formaldehyde (HCHO) 0-10 ppm
20	Combustible gases (catalytic sensor)
MET	METHANE 0-100% L.E.L.
PRO	PROPANE 0-100% L.E.L.
H2	H2 0-100% L.E.L.
ISO	ISOBUTANE 0-100% L.E.L.
HEX	HEXANE 0-100% L.E.L.
28	VOC 0-50 ppm
29	VOC 0-300 ppm
30	Combustible gases (solid state sensor)
MET	METHANE 0-50% L.E.L.
PRO	PROPANE 0-50% L.E.L.
H2	H2 0-50% L.E.L.
ISO	ISOBUTANE 0-50% L.E.L.
HEX	HEXANE 0-50% L.E.L.
31	Refrigerant (solid state sensor)
R11	R11 0-2000 ppm
R12	R12 0-2000 ppm
R22	R22 0-2000 ppm
134	R134A 0-2000 ppm
401	R401A 0-2000 ppm
402	R402A 0-2000 ppm
404	R404A 0-2000 ppm
407	R407C 0-2000 ppm
410	R410A 0-2000 ppm
42A	R422A 0-2000 ppm
42D	R422D 0-2000 ppm
438	R438A 0-2000 ppm
507	R507 0-2000 ppm
32	VOC 0-500 ppm

### RELATED PRODUCTS

**5209-0004**  
**5209-0006**  
**5209-0016**  
**5209-0019**

Splash guard (for NEMA 4X sensors only)  
 Calibration adapter for all other sensors  
 Calibration adapter for catalytic sensor  
 Guard to protect GDC-150 (16 gauge galvanized metal)

### ACCESSORIES

**Calibration Gases**  
**UCK-1**  
**UCK-3**

CO, CO2, NO2, O2, CH4, NH3, N2, H2S, H2, and Refrigerants (See calibration page)  
 Universal calibration kit for non-corrosive gases (N2, CO2, CH4, H2, O2, CO, and refrigerants)  
 Universal calibration kit for non-corrosive or corrosive gases

**PAGE**

**436**  
**436**

7

GAS & SPECIALTY SENSORS