



## PRECISION TURBINE METERS G2 SERIES



**NEW!**

### DESCRIPTION

Stainless steel Great Plains Industries (GPI)/FLOMEC G2 Series Precision Turbine Meters. These rugged, dependable meters offer high accuracy in a self-contained design that is field serviceable.

### FEATURES

- Accuracy  $\pm 0.75\%$  to  $\pm 2.0\%$  (dependent on meter selection)
- Meter designed for thin fluids (less than 100 Centipoise)
- Modular design allows for use with Output Modules, Sensors and Remote Transmitters
- Two button display has two Totals (Batch = Resettable, Cumulative = Non resettable); Rate of Flow, Factory calibrated in gallons and litres; Field calibratable; includes non-volatile totals
- Internal parts simple to replace for easy maintenance
- Lithium battery life: 5 years (Battery is replaceable part #113520-1)



G2 Series



6

FLOW

### SPECIFICATIONS

<b>Accuracy (% of Reading)</b>		<b>Fitting Type</b>	NPT (Female)
1/2"	Turbine Only $\pm 2.0\%$ Turbine w/Display $\pm 1.5\%$	<b>Repeatability</b>	$\pm 0.1\%$ (PVDF is $\pm 0.3\%$ )
3/4"	Turbine Only $\pm 1.5\%$ Turbine w/Display $\pm 1.0\%$	<b>Operating Temperature Range</b>	-40 to +250°F (-40 to +121°C)
1"	Turbine Only $\pm 1.5\%$ Turbine w/Display $\pm 1.0\%$	<b>PVDF with Display</b>	-20 to +180°F (-28 to +82°C)
1-1/2"	Turbine Only $\pm 1.0\%$ Turbine w/Display $\pm 0.75\%$	<b>Pressure Rating</b>	316 Stainless Steel: 1,500 PSI / 102 BAR
2"	Turbine Only $\pm 1.0\%$ Turbine w/Display $\pm 0.75\%$	<b>PVDF</b>	100 PSI / 6.9 BAR
<b>Meter Sizes</b>	1/2", 3/4", 1", 1 1/2", 2"	<b>Materials of Construction</b>	316 Stainless Steel, PVDF
<b>Flow Range</b>		<b>Approvals</b>	CE, FM, ATEX EX, NEMA 4, IP65, IECEx
1/2"	1-10 GPM (3.8-37.9 LPM)	<b>Warranty</b>	5 year
1/2" PVDF Only	1.2-12 GPM (4.54-45.42 LPM)		
3/4"	2-20 GPM (7.6-75.7 LPM)		
1"	5-50 GPM (18.9-190 LPM)		
1-1/2"	10-100 GPM (38.0-380 LPM)		
2"	20-200 GPM (76-760 LPM)		

### ORDERING INFORMATION

MODEL	DESCRIPTION
G2	Turbine Flow Meter
<b>TURBINE MATERIAL AND SIZE</b>	
S05	Stainless Steel - 0.50 inch
S07	Stainless Steel - 0.75 inch
S10	Stainless Steel - 1.00 inch
S15	Stainless Steel - 1.50 inch
S20	Stainless Steel - 2.00 inch
P05	PVDF - 0.50 inch
P10	PVDF - 1.00 inch
<b>FITTING TYPE</b>	
N	NPT (Female)
<b>TURBINE WITH LOCAL DISPLAY</b>	
09	Vertical 2 Button Display
<b>NO ELECTRONICS - TURBINE ONLY</b>	
XX	No Electronics - Turbine Only

Example: G2B20N09 - G2 Turbine Meter 2.00 Inch, NPT, with Local Display, GPM

**NOTE:** All units are factory calibrated to viscosity of water. All units can also be field calibrated.

113275-1  
125060-1  
125100-1  
GA500  
GX500

### ACCESSORIES

FM approved remote kit (to Remote Mount Display)  
Pulse Access Module  
4-20mA module  
Remote mount 4-20mA output transmitter without display  
Remote mount 4-20mA output transmitter with display

**NEW!**



## REMOTE MOUNT OUTPUT TRANSMITTERS WITH OR WITHOUT DISPLAY GA500, GX500 SERIES

### DESCRIPTION

The **GA500** and **GX500** series provides 4-20mA or pulse signals with or without display.



### FEATURES

- Now available with lockout feature (GA500 & GX500)
- Extremely low power requirements
- Field calibratable by user (GX500)
- Easily mounted on pipe or wall



6

FLOW

### SPECIFICATIONS

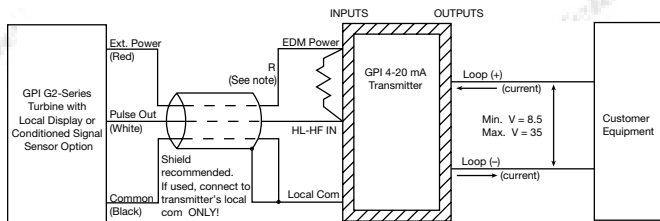
<b>Supply Voltage</b>	8.5 to 35VDC
<b>Supply Current</b>	200mA
<b>Accuracy (% of Reading)</b>	±0.1
<b>Pulse-Out</b>	
<b>Max. "Off" Voltage</b>	60V
<b>Max. "On" Current</b>	200mA
<b>Max. "On" Voltage Drop</b>	<0.5V @ 200mA
<b>Electrical Strain Relief</b>	Hubble PG7

<b>Strain Relief Thread</b>	Female 1/2-20 UNF-2B
<b>Cable</b>	Belden 9363
<b>Cable Length</b>	20' (6m) provided
<b>Input Options</b>	Hall Effect, Reed Switch, Open Collector or Low Level Sine Wave
<b>Calibratable (GX500)</b>	K-factor Entry
<b>Mounting</b>	Pipe or Wall
<b>Enclosure Rating</b>	NEMA 4X (IP 55)
<b>Weight</b>	2.0 lbs (.9 kg)

### WIRING

#### 4-20 mA or 0-20 mA Output Customer Equipment with Built-in Power Supply

**Input:** Turbine Mounted Display or Conditioned Signal Sensor (Open Collector)  
**Output:** Customer Equipment, 0-20 mA Sensing, Built-in Loop Power Supply

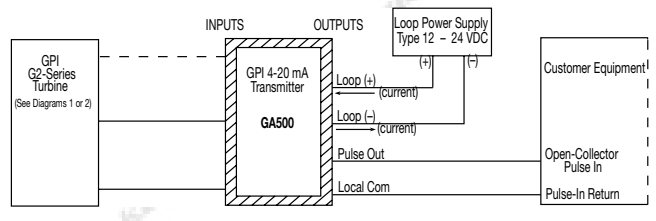


**Note Regarding Resistor "R":** R not generally required for distance up to 25 ft.  
Use R = 10k (10,000 ohms) for distance up to 50 ft.  
Use R = 5.1k (5,100 ohms) for distance up to 100 ft.  
Use R = 2.7k (2,700 ohms) for distance up to 250 ft.  
Do not use R less than 2.4k (ohms)

**CAUTION:** When reassembling the faceplate, make sure that the enclosure seal is not crimped or twisted. Do not over-tighten corner screws (hand tighten only). Faceplate can be rotated 90°.

#### Pulse Output Customer Equipment Without Built-in Power Supply

**Input:** Turbine Mounted Display or Conditioned Signal Sensor (See inputs from Diagram 1)  
Standard Remote Sensor (See inputs from Diagram 2)  
**Output:** Customer Equipment, Frequency Sensing, Separate Loop Power Supply



**NOTE 1:** Loop power supply electrically isolated from customer equipment  
**NOTE 2:** Actual value of loop current (mA) is disregarded

### ORDERING INFORMATION

#### MODEL

GA500  
GX500

#### DESCRIPTION

Remote Mount 4-20mA Output Transmitter without display  
Remote Mount 4-20mA Output Transmitter with display



## PULSE ACCESS MODULE FOR G2 SERIES LOCAL MOUNT TRANSDUCERS

### PULSE ACCESS MODULE



#### DESCRIPTION

The **Pulse Access Module** provides an unscaled, digital signal from your FLOMEC® meter by accessing circuitry from the onboard computer readout. This kit comes complete, ready to install, with a circuit assembly, coverplate assembly and 10 ft. of cable.

#### FEATURES

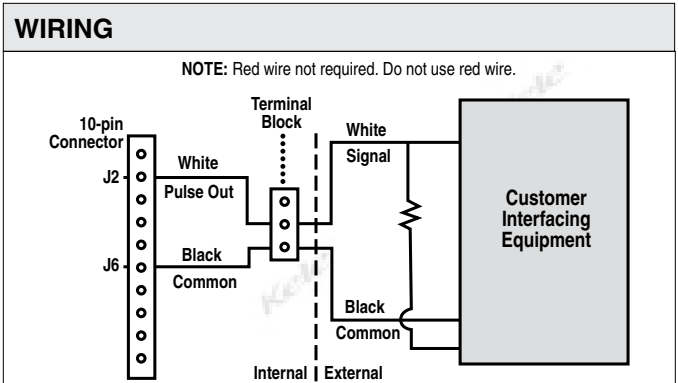
- Provides a digital Open Collector signal
- Can transmit signal up to 5,000' (1.5km)
- Communicates with most digital process control devices
- Easy to install



Pulse Access Module  
(125060-1)

SPECIFICATIONS	
Connector	Hubble PG7
Signal Type	Digital
Frequency	0 to 750 Hz
Cable	10' (3m) Belden #9363

ORDERING INFORMATION	
MODEL	DESCRIPTION
125060-1	Pulse Access Module for use on G2 Series Turbine Model



6

FLOW

## FACTORY MUTUAL APPROVED REMOTE DISPLAY KIT FOR G2 SERIES

### FM APPROVED REMOTE ASSEMBLY KIT



#### DESCRIPTION

The **Factory Mutual (FM) Remote Assembly Kit** is designed for use with any G2 Turbine Meter when rotor pulse data is required and the meter is located within a hazardous location. The output signal is compatible with existing FLOMEC® remote electronics.

#### FEATURES

- Mounts to any G2 meter housing via the coverplate
- Ideal for indoor or outdoor applications
- Factory mutual (Intrinsic Safe) Class 1, Div. 1, Groups ABCDEFG

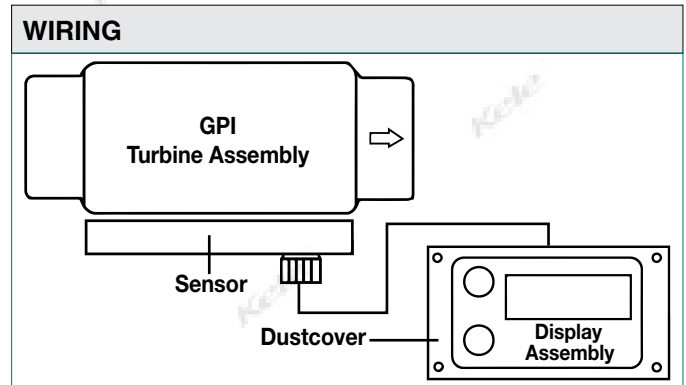


FM Approved Remote Kit Assembly  
(113275-1)



SPECIFICATIONS	
Signal Type	Sine Wave
Frequency	11-750Hz
Cable	10'(3m) 2-conductor shielded Belden #9501
Temperature	-40° to 250°F (-40° to 121°C)

ORDERING INFORMATION	
MODEL	DESCRIPTION
113275-1	Remote Display Kit





## 4-20 mA MODULE FOR G2 SERIES 4-20 MA MODULE

### DESCRIPTION

Combine the **4-20 mA Module** with an Industrial Grade Turbine and Computer Electronics to provide an industry standard analog signal for connection to a wide variety of chart recorders, display equipment and process control equipment.

### FEATURES

- Communicates with most analog process control devices
- Module installs on all turbine sizes
- Provides external power to computer electronics



4-20mA Module  
(125100-1)

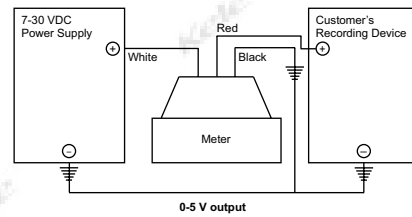
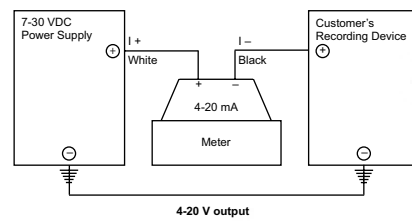


6

### SPECIFICATIONS

Connector	Hubble PG7
Signal Type	Analog
Power	Loop powered, 7-30 VDC
Connection	3 wire
Cable	10' (3m) Belden #9363

### WIRING



### ORDERING INFORMATION

MODEL	DESCRIPTION
125100-1	4-20 mA Module for use on G2 Series Turbine Model

FLOW