



Hoffman®

DESCRIPTION

The Hoffman POLYPRO™ polyester enclosures perform exceptionally well in applications where harsh chemicals, weather extremes and corrosive environments demand toughness from a lightweight enclosure. Providing excellent ultraviolet protection and a tight environmental seal, these versatile, feature-rich enclosures are also recyclable.

FEATURES

- Provides excellent chemical resistance to a broad range of solvents, alkalis and acids
- Resists cracking and provides excellent impact resistance
- Lighter-weight than fiberglass
- Easy, dustless in-field modifications using standard tools
- Overlapping tongue-and-groove raised cover and gasket provide a secure Type 4X seal
- Removable snap-hinge cover allows for easy access to cover and body for modifications
- Molded layout grid on inside of body and solid covers assists with component mounting
- Molded-in embosses for rear panel mounting
- Optional cover screws included with all models
- Internal rail system and adjustable panel blocks allow for panel height adjustment and installation of multiple panels
- Scratch-resistant polycarbonate windows
- Standard models include body and cover, two mounting feet, two latch assemblies with optional cover screws and hardware (adjustable panel blocks, panels sold separately)
- Non-glass-filled polyester material offers superior UV resistance; eliminates fiberbloom associated with fiberglass
- UL File E61997
- One year warranty



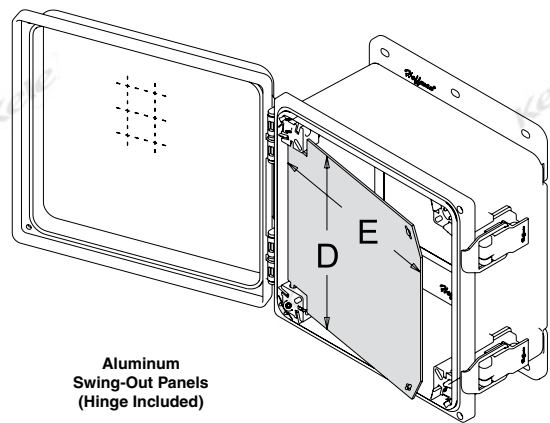
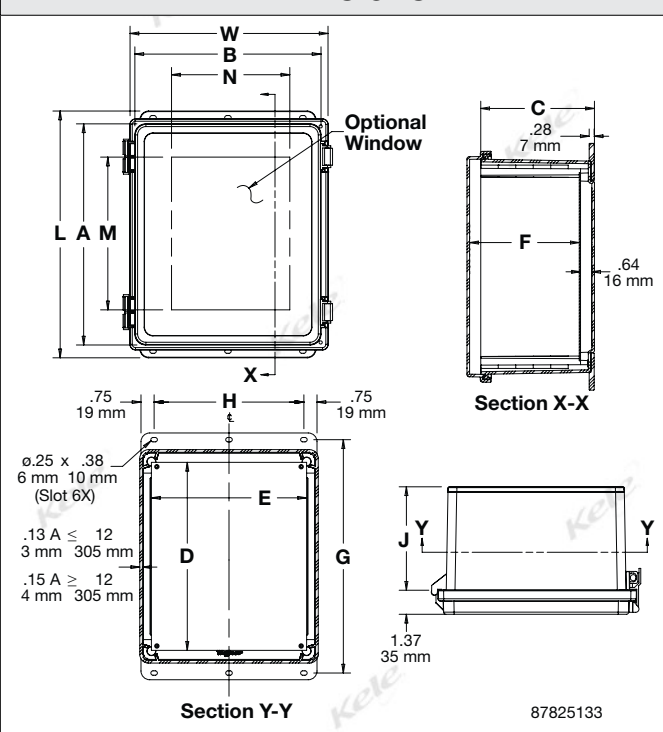
PolyPro™ Series



5

ENCLOSURES

DIMENSIONS



ORDERING INFORMATION (Aluminum Swing-Out Panels)

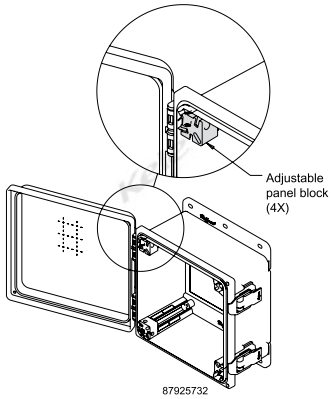
MODEL	D x E (in.)	D x E (mm)
A64PSWPNL	5.00 x 3.62	127 x 92
A66PSWPNL	5.00 x 5.62	127 x 143
A86PSWPNL	7.00 x 5.62	178 x 143
A88PSWPNL	7.00 x 7.62	178 x 194
A108PSWPNL	9.00 x 7.62	229 x 194
A1010PSWPNL	9.00 x 9.62	229 x 244
A1210PSWPNL	11.00 x 9.62	279 x 244
A1412PSWPNL	13.00 x 11.62	330 x 295
A1614PSWPNL	15.00 x 13.62	381 x 346
A1816PSWPNL	17.00 x 15.62	432 x 397



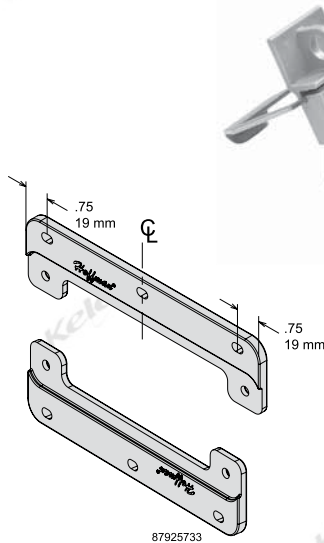
ENCLOSURES

POLYPRO™ TYPE 4X NON-METALLIC ENCLOSURES POLYPRO™ SERIES

ACCESSORIES (ORDER SEPERATELY)



APNLBLK
Adjustable panel
block kit



APOLYFTxx
Polyester mounting
bracket kits



AQRLSS6
Stainless steel
latches (padlockable)



AHGCLP
Hinge retainers

ORDERING INFORMATION

MODEL	DIMENSIONS AxBxC in./mm	F in./mm	G in./mm	H in./mm	J in./mm	L in./mm	M in./mm	N in./mm	W in./mm	Cover Type	Steel Panel	Aluminum Panel	Panel Size D x E in./mm
A644PHC	6.12 x 4.12 x 4.38/155 x 105 x 111	4.32/110	7.38/187	2.56/65	3.91/99	8.15/207	—	—	5.23/133	Solid	A6P4	A6P4AL	4.88 x 2.88/124 x 73
A644PHCW	6.12 x 4.12 x 4.38/155 x 105 x 111	4.32/110	7.38/187	2.56/65	3.91/99	8.15/207	4.25/108	2.25/57	5.23/133	Window	A6P4	A6P4AL	4.88 x 2.88/124 x 73
A664PHC	6.12 x 6.12 x 4.38/155 x 155 x 111	4.32/110	7.38/187	4.56/116	3.91/99	8.15/207	—	—	7.23/184	Solid	A6P6	A6P6AL	4.88 x 4.88/124 x 124
A664PHCW	6.12 x 6.12 x 4.38/155 x 155 x 111	4.32/110	7.38/187	4.56/116	3.91/99	8.15/207	4.25/108	4.25/108	7.23/184	Window	A6P6	A6P6AL	4.88 x 4.88/124 x 124
A864PHC	8.12 x 6.12 x 4.38/206 x 155 x 111	4.32/110	9.38/238	4.56/116	3.91/99	10.15/258	—	—	7.23/184	Solid	A8P6	A8P6AL	6.75 x 4.88/171 x 124
A864PHCW	8.12 x 6.12 x 4.38/206 x 155 x 111	4.32/110	9.38/238	4.56/116	3.91/99	10.15/258	6.25/159	4.25/108	7.23/184	Window	A8P6	A8P6AL	6.75 x 4.88/171 x 124
A884PHC	8.12 x 8.12 x 4.38/206 x 206 x 111	4.32/110	9.38/238	6.56/167	3.91/99	10.15/258	—	—	9.23/234	Solid	A8P8	A8P8AL	6.75 x 6.88/171 x 175
A884PHCW	8.12 x 8.12 x 4.38/206 x 206 x 111	4.32/110	9.38/238	6.56/167	3.91/99	10.15/258	6.25/159	6.25/159	9.23/234	Window	A8P8	A8P8AL	6.75 x 6.88/171 x 175
A1084PHC	10.12 x 8.12 x 4.38/257 x 155 x 111	4.32/110	11.38/289	6.56/167	3.91/99	12.15/309	—	—	9.23/234	Solid	A10P8	A10P8AL	8.75 x 6.88/222 x 175
A1084PHCW	10.12 x 8.12 x 4.38/257 x 155 x 111	4.32/110	11.38/289	6.56/167	3.91/99	12.15/309	8.25/210	6.25/159	9.23/234	Window	A10P8	A10P8AL	8.75 x 6.88/222 x 175
A10106PHC	10.04 x 10.04 x 6.38/255 x 255 x 162	6.32/161	11.31/287	8.56/217	5.91/150	12.08/307	—	—	11.23/285	Solid	A10P10	A10P10AL	8.75 x 8.88/222 x 226
A10106PHCW	10.04 x 10.04 x 6.38/255 x 255 x 162	6.32/161	11.31/287	8.56/217	5.91/150	12.08/307	8.25/210	8.25/210	11.23/285	Window	A10P10	A10P10AL	8.75 x 8.88/222 x 226
A12106PHC	12.08 x 10.09 x 6.38/307 x 256 x 162	6.32/161	13.34/339	8.56/217	5.91/150	14.08/358	—	—	11.23/285	Solid	A12P10	A12P10AL	10.75 x 8.88/273 x 226
A12106PHCW	12.08 x 10.09 x 6.38/307 x 256 x 162	6.32/161	13.34/339	8.56/217	5.91/150	14.08/358	10.25/260	8.25/210	11.23/285	Window	A12P10	A12P10AL	10.75 x 8.88/273 x 226
A14128PHC	14.02 x 12.01 x 8.35/356 x 305 x 212	8.27/210	15.27/388	10.56/268	7.91/201	16.04/407	—	—	13.32/338	Solid	A14P12	A14P12AL	12.75 x 10.88/324 x 276
A14128PHCW	14.02 x 12.01 x 8.35/356 x 305 x 212	8.27/210	15.27/388	10.56/268	7.91/201	16.04/407	12.25/311	10.25/260	13.32/338	Window	A14P12	A14P12AL	12.75 x 10.88/324 x 276
A16148PHC	16.02 x 14.01 x 8.35/407 x 356 x 212	8.27/210	17.27/439	12.56/319	7.91/201	18.04/458	—	—	15.32/389	Solid	A16P14	A16P14AL	14.75 x 12.88/375 x 327
A16148PHCW	16.02 x 14.01 x 8.35/407 x 356 x 212	8.27/210	17.27/439	12.56/319	7.91/201	18.04/458	14.25/362	12.25/311	15.32/389	Window	A16P14	A16P14AL	14.75 x 12.88/375 x 327
A181610PHC	17.95 x 15.94 x 10.35/456 x 405 x 263	10.27/261	19.20/488	14.56/370	9.91/252	19.97/507	—	—	17.32/440	Solid	A18P16	A18P16AL	16.75 x 14.88/425 x 378
A181610PHCW	17.95 x 15.94 x 10.35/456 x 405 x 263	10.27/261	19.20/488	14.56/370	9.91/252	19.97/507	16.25/413	14.25/362	17.32/440	Window	A18P16	A18P16AL	16.75 x 14.88/425 x 378

Purchase panels separately. Panels are available in aluminum, mild steel, stainless steel, conductive and composite materials.

ACCESSORIES

APNLBLK	Adjustable panel block kit, 4/pkg
APOLYFT4	Polyester mounting bracket kit, 4in, 2/pkg
APOLYFT6	Polyester mounting bracket kit, 6in, 2/pkg
APOLYFT8	Polyester mounting bracket kit, 8in, 2/pkg
APOLYFT10	Polyester mounting bracket kit, 10in, 2/pkg
APOLYFT12	Polyester mounting bracket kit, 12in, 2/pkg
APOLYFT14	Polyester mounting bracket kit, 14in, 2/pkg
APOLYFT16	Polyester mounting bracket kit, 16in, 2/pkg
AQRLSS6	Padlockable stainless steel latches, 2/pkg
AHGCLP	Polypro hinge retainers, 10/pkg