

POLYPRO™, TYPE 4X


INDUSTRY STANDARDS

Mounting brackets required to meet UL/CSA external mounting requirements.

UL 508A Listed; Type 4, 4X, 12, 13; File No. E61997
 cUL Listed per CSA C22.2 No 94; Type 4, 4X, 12, 13; File No. E61997
 Enclosure flammability evaluated per UL 508A
 Window flammability evaluated per UL 508A

NEMA/EEMAC Type 4, 4X, 12, 13
 CSA File No. 42186; Type 4, 4X, 12, 13 (solid covers only)
 IEC 60529, IP66

APPLICATION

POLYPRO™ polyester enclosures perform exceptionally well in applications where harsh chemicals, weather extremes and corrosive environments demand toughness from a lightweight enclosure. Providing excellent ultraviolet protection and a tight environmental seal, these versatile, feature-rich enclosures are also recyclable.

SPECIFICATIONS

- Non-glass-filled polyester material offers superior UV resistance; eliminates fiberbloom associated with fiberglass
- Provides excellent chemical resistance to a broad range of solvents, alkalis and acids
- Resists cracking and provides excellent impact resistance
- Lighter-weight than fiberglass
- Recyclable
- Easy, dustless in-field modifications using standard tools
- Overlapping tongue-and-groove raised cover and gasket provide a secure Type 4X seal

- Removable snap-hinge cover allows for easy access to cover and body for modifications
- Molded layout grid on inside of body and solid covers assists with component mounting
- Molded-in embosses for rear panel mounting
- Optional cover screws included with all models
- Internal rail system and adjustable panel blocks allow for panel height adjustment and installation of multiple panels
- Scratch-resistant polycarbonate windows
- Standard models include body and cover, two mounting feet, two latch assemblies with optional cover screws and hardware (adjustable panel blocks and panels sold separately)

FINISH

RAL 7035 light-gray textured finish inside and out

ACCESSORIES

See also *Accessories*.

Adjustable Panel Block Kit
 Panels for Junction Boxes
 HOL-SEALERS™ Non-Metallic Hole Seals
 Aluminum Swing-Out Panels
 Stainless Steel Latches (Padlockable)
 Hinge Retainers

MODIFICATION AND CUSTOMIZATION

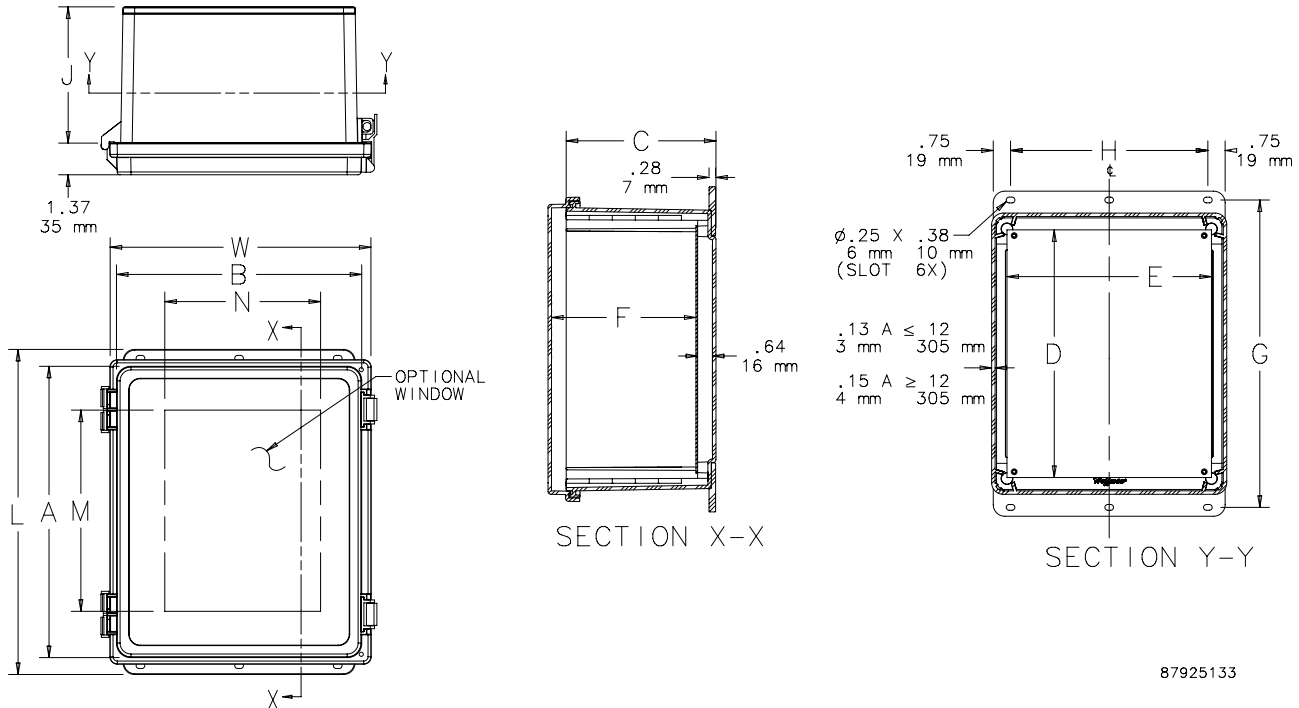
Hoffman excels at modifying and customizing products to your specifications. Contact your local Hoffman sales office or distributor for complete information.

BULLETIN: PCR

Standard Product

Catalog Number	AxBxC in./mm	Cover Type	Steel Panel	Aluminum Panel	Panel Size								
					D x E in./mm	F in./mm	G in./mm	H in./mm	J in./mm	L in./mm	M in./mm	N in./mm	W in./mm
A644PHC	6.12 x 4.12 x 4.38	Solid	A6P4	A6P4AL	4.88 x 2.88	4.32	7.38	2.56	3.91	8.15	—	—	5.23
	155 x 105 x 111				124 x 73	110	187	65	99	207	—	—	133
A644PHCW	6.12 x 4.12 x 4.38	Window	A6P4	A6P4AL	4.88 x 2.88	4.32	7.38	2.56	3.91	8.15	4.25	2.25	5.23
	155 x 105 x 111				124 x 73	110	187	65	99	207	108	57	133
A664PHC	6.12 x 6.12 x 4.38	Solid	A6P6	A6P6AL	4.88 x 4.88	4.32	7.38	4.56	3.91	8.15	—	—	7.23
	155 x 155 x 111				124 x 124	110	187	116	99	207	—	—	184
A664PHCW	6.12 x 6.12 x 4.38	Window	A6P6	A6P6AL	4.88 x 4.88	4.32	7.38	4.56	3.91	8.15	4.25	4.25	7.23
	155 x 155 x 111				124 x 124	110	187	116	99	207	108	108	184
A864PHC	8.12 x 6.12 x 4.38	Solid	A8P6	A8P6AL	6.75 x 4.88	4.32	9.38	4.56	3.91	10.15	—	—	7.23
	206 x 155 x 111				171 x 124	110	238	116	99	258	—	—	184
A864PHCW	8.12 x 6.12 x 4.38	Window	A8P6	A8P6AL	6.75 x 4.88	4.32	9.38	4.56	3.91	10.15	6.25	4.25	7.23
	206 x 155 x 111				171 x 124	110	238	116	99	258	159	108	184
A884PHC	8.12 x 8.12 x 4.38	Solid	A8P8	A8P8AL	6.75 x 6.88	4.32	9.38	6.56	3.91	10.15	—	—	9.23
	206 x 206 x 111				171 x 175	110	238	167	99	258	—	—	234
A884PHCW	8.12 x 8.12 x 4.38	Window	A8P8	A8P8AL	6.75 x 6.88	4.32	9.38	6.56	3.91	10.15	6.25	6.25	9.23
	206 x 206 x 111				171 x 175	110	238	167	99	258	159	159	234
A1084PHC	10.12 x 6.12 x 4.38	Solid	A10P8	A10P8AL	8.75 x 6.88	4.32	11.38	6.56	3.91	12.15	—	—	9.23
	257 x 155 x 111				222 x 175	110	289	167	99	309	—	—	234
A1084PHCW	10.12 x 6.12 x 4.38	Window	A10P8	A10P8AL	8.75 x 6.88	4.32	11.38	6.56	3.91	12.15	8.25	6.25	9.23
	257 x 155 x 111				222 x 175	110	289	167	99	309	210	159	234
A10106PHC	10.04 x 10.04 x 6.38	Solid	A10P10	A10P10AL	8.75 x 8.88	6.32	11.31	8.56	5.91	12.08	—	—	11.23
	255 x 255 x 162				222 x 226	161	287	217	150	307	—	—	285
A10106PHCW	10.04 x 10.04 x 6.38	Window	A10P10	A10P10AL	8.75 x 8.88	6.32	11.31	8.56	5.91	12.08	8.25	8.25	11.23
	255 x 255 x 162				222 x 226	161	287	217	150	307	210	210	285
A12106PHC	12.08 x 10.09 x 6.38	Solid	A12P10	A12P10AL	10.75 x 8.88	6.32	13.34	8.56	5.91	14.08	—	—	11.23
	307 x 256 x 162				273 x 226	161	339	217	150	358	—	—	285
A12106PHCW	12.08 x 10.09 x 6.38	Window	A12P10	A12P10AL	10.75 x 8.88	6.32	13.34	8.56	5.91	14.08	10.25	8.25	11.23
	307 x 256 x 162				273 x 226	161	339	217	150	358	260	210	285
A14128PHC	14.02 x 12.01 x 8.35	Solid	A14P12	A14P12AL	12.75 x 10.88	8.27	15.27	10.56	7.91	16.04	—	—	13.32
	356 x 305 x 212				324 x 276	210	388	268	201	407	—	—	338
A14128PHCW	14.02 x 12.01 x 8.35	Window	A14P12	A14P12AL	12.75 x 10.88	8.27	15.27	10.56	7.91	16.04	12.25	10.25	13.32
	356 x 305 x 212				324 x 276	210	388	268	201	407	311	260	338
A16148PHC	16.02 x 14.01 x 8.35	Solid	A16P14	A16P14AL	14.75 x 12.88	8.27	17.27	12.56	7.91	18.04	—	—	15.32
	407 x 356 x 212				375 x 327	210	439	319	201	458	—	—	389
A16148PHCW	16.02 x 14.01 x 8.35	Window	A16P14	A16P14AL	14.75 x 12.88	8.27	17.27	12.56	7.91	18.04	14.25	12.25	15.32
	407 x 356 x 212				375 x 327	210	439	319	201	458	362	311	389
A181610PHC	17.95 x 15.94 x 10.35	Solid	A18P16	A18P16AL	16.75 x 14.88	10.27	19.20	14.56	9.91	19.97	—	—	17.32
	456 x 405 x 263				425 x 378	261	488	370	252	507	—	—	440
A181610PHCW	17.95 x 15.94 x 10.35	Window	A18P16	A18P16AL	16.75 x 14.88	10.27	19.20	14.56	9.91	19.97	16.25	14.25	17.32
	456 x 405 x 263				425 x 378	261	488	370	252	507	413	362	440

Purchase panels separately. Panels are available in aluminum, mild steel, stainless steel, conductive and composite materials.



87925133

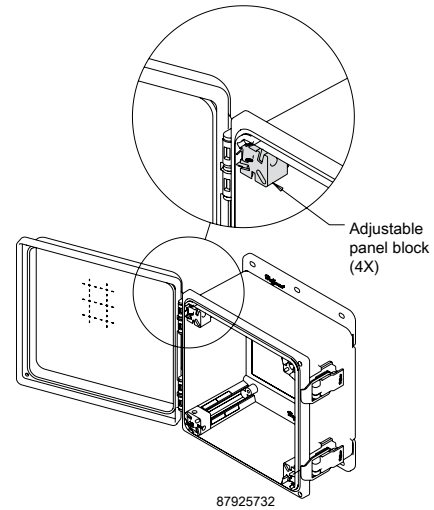
ADJUSTABLE PANEL BLOCK KIT

Panel blocks slide inside POLYPRO internal rail system for panel height adjustment within top 5 in. of enclosure. Allows for installation of multiple panels.

BULLETIN: PCRY

Catalog Number	Qty.
APNLBLK	4

Includes Allen wrench

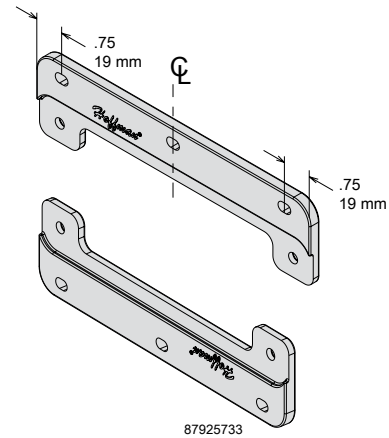


POLYESTER MOUNTING BRACKET KITS

Replacement POLYPRO mounting brackets are sold in sets of two and include hardware for mounting to enclosure. Included with standard POLYPRO models.

BULLETIN: PCRY

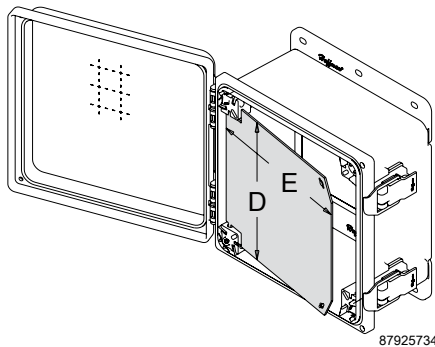
Catalog Number	Description (in.)	Qty.
APOLYFT4	4.00	2
APOLYFT6	6.00	2
APOLYFT8	8.00	2
APOLYFT10	10.00	2
APOLYFT12	12.00	2
APOLYFT14	14.00	2
APOLYFT16	16.00	2



ALUMINUM SWING-OUT PANELS

Includes four POLYPRO Adjustable Panel Blocks. No enclosure modification is required for installation.

BULLETIN: PCRY



Catalog Number	D x E (in.)	D x E (mm)
A64PSWPNL	5.00 x 3.62	127 x 92
A66PSWPNL	5.00 x 5.62	127 x 143
A86PSWPNL	7.00 x 5.62	178 x 143
A88PSWPNL	7.00 x 7.62	178 x 194
A108PSWPNL	9.00 x 7.62	229 x 194
A1010PSWPNL	9.00 x 9.62	229 x 244
A1210PSWPNL	11.00 x 9.62	279 x 244
A1412PSWPNL	13.00 x 11.62	330 x 295
A1614PSWPNL	15.00 x 13.62	381 x 346
A1816PSWPNL	17.00 x 15.62	432 x 397

STAINLESS STEEL LATCHES (PADLOCKABLE)



Stainless Steel Latches can be retrofitted on all POLYPRO models with no modification or drilling required. Hinge/latch constructed of corrosion-resistant polyester with a Type 316L stainless steel bail.

Included with standard POLYPRO models.

BULLETIN: PCRY

Catalog Number	Qty.
AQRLSS6	2

HINGE RETAINERS



Hinge Retainers can be field-installed without modification to POLYPRO hinges for applications where easy cover removal is not desired. Two retainers per enclosure is recommended. Kit includes ten hinge retainers.

BULLETIN: PCRY

Catalog Number	Description	Pkg. Qty.
AHGCLP	POLYPRO Hinge Retainers	10