



3-1/2 DIGIT SMALL PANEL DISPLAY

MODEL LPI-5

DESCRIPTION

The **Model LPI-5** loop-powered indicator features a small 0.37" (0.94 cm), 3-1/2 digit, black LCD or red LED display. The meter displays any 4-20 mA signal in desired scale. The **Model LPI-5** is powered directly from the 4-20 mA signal loop, so there is no need for a power supply for the black LCD digits or red LED digits.



LPI-5

FEATURES

- Indication of 4-20 mA signal in desired scale
- Loop-powered
- 3-1/2 digit display
- Snap-in panel mounting
- Small, easy-to-read display
- Precalibrated for desired range
- Selectable decimal point location
- Positive-to-negative indication (black LCD display))



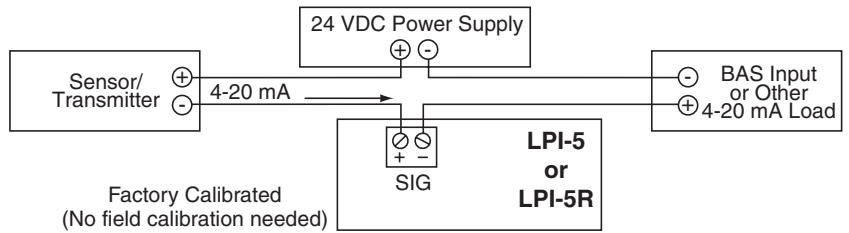
LPI-5R

APPLICATION

- Temperature
- Humidity
- Pressure
- Kilowatt demand
- GPM
- Voltage/current

| SPECIFICATIONS | | | |
|--------------------------|--|---------------------|---|
| Signal | 4-20 mA | Power | 24 VDC |
| Impedance | | Ambient temp | 32° to 130°F (0° to 54°C) 95% RH noncondensing |
| Black | 300Ω | Dimensions | |
| Red | 380Ω | Bezel | |
| Digit count | 3-1/2 digits max | Red | 1.82"W x 1.28"H (4.64 x 3.25 cm) |
| Digit size | 0.37" (0.94 cm) | Black | 1.73"W x 0.95"H (4.4 x 2.4 cm) |
| Decimal | Three positions or none | Cutout | |
| Range | | Red | 1.3"W x 0.8"H x 1"D (3.3 x 2.0 x 2.54 cm) |
| Red | 0 to 1999 | Black | 1.57"W x 0.86"H x 1.6"D (4 x 2.2 x 4 cm) |
| Black | -1999 to 1999, min span 100 digit counts | Weight | 2 oz (57g) |
| Accuracy | ±0.1% of scale +1 digit | | |
| Engineering units | Black LCD only MΩ, kΩ, °C, m, V, °F, A, μ | | |

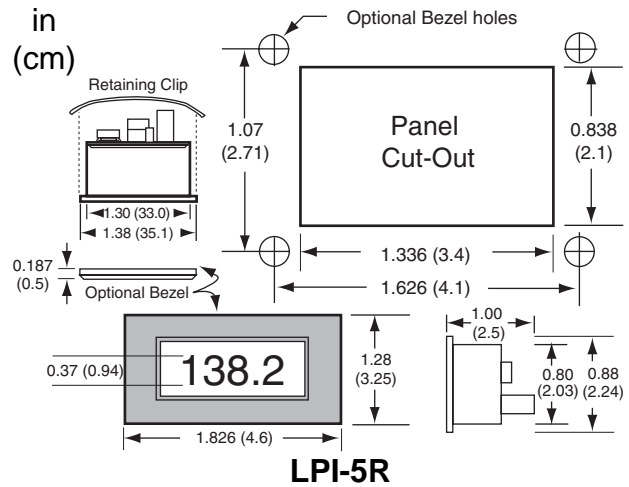
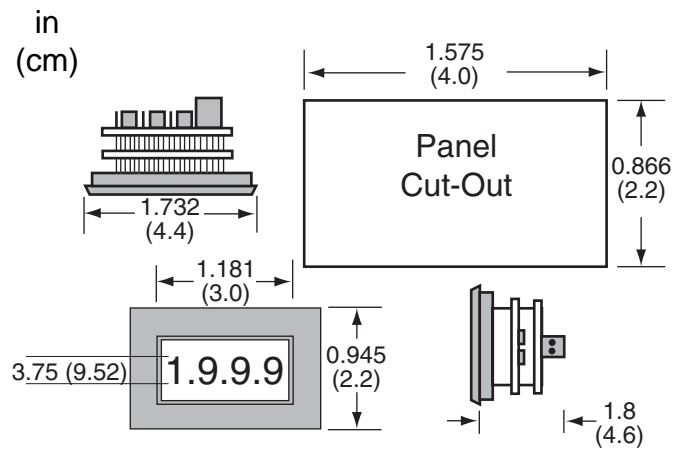
WIRING



ORDERING INFORMATION

| <u>MODEL</u> | <u>DESCRIPTION</u> |
|--|---|
| LPI-5 | 3-1/2 Digit Small Black LCD Panel Display |
| LPI-5R | 3-1/2 Digit Small Red LED Panel Display |
| Specify scale, range, and decimal location when ordering. | |
| Aluminum engineering units plate will be provided upon request at no charge. (2" x 0.75") Available plates are % RH, AMPS, DEG C., DEG F., GPM, x10 GPM, KW, KWH, PSIG, and "W.C. | |

DIMENSIONS / MOUNTING INFORMATION



LPI-5R

RECALIBRATION INFORMATION

LPI-5

Decimal Point Set Up

J4-J6: Install 1 jumper in J4, J5, or J6 to display decimal. (Remove jumpers for no decimal point.)

Decimal Jumper Selection

- J4 = -1.999 to 1.999
- J5 = -19.99 to 19.99
- J6 = -199.9 to 199.9
- none = -1999 to 1999

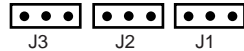
Engineering Unit Annunciator Settings

Install jumper to disable or enable engineering unit.



Range Set Up

J1-J3: Install all 3 jumpers according to the following criteria:



What is the desired displayed number at 4 mA?

(Positive, Zero, Negative)

Negative Place all jumpers LEFT

Zero Place all jumpers LEFT

Positive Ask the following:

Is the 4 mA desired display number x 5, less than the display number at 20 mA?

Example: 4-20 mA = 32 to 312 so $32 \times 5 = 160$

(is 160 less than 212) ?... YES

Example: 4-20 mA = 40 to 90 so $40 \times 5 = 200$ (is

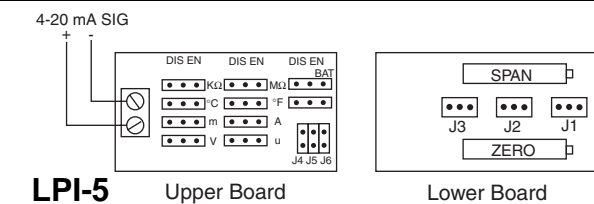
200 less than 90) ?.....NO

YES: Place all jumpers LEFT

NO: Place all jumpers RIGHT

Final Adjustment Set Up

1. Apply 4.00 mA, and adjust the zero pot for the desired low numeric display.
2. Apply 20.00 mA, and adjust the span pot for the desired maximum numeric display.
3. Repeat steps 1 and 2 until both desired high and low readings are obtained. (4-5 passes typical)



LPI-5

Upper Board

Lower Board

LPI-5R

Decimal Point Set Up

DS4-DS6: Enable 1 switch DS4, DS5, or DS6 to display decimal. (all off for no decimal point)

Decimal Jumper Selection

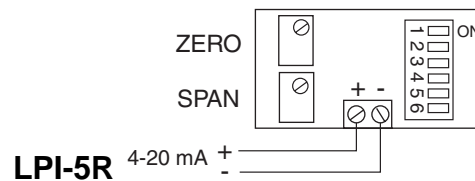
- DS6 On = -1.999 to 1.999
- DS5 On = -19.99 to 19.99
- DS4 On = -199.9 to 199.9
- All off = -1999 to 1999

Range Set Up

DS1-DS3: Select switches according to Table 1.

TABLE 1. RANGE SELECT

| Display Reading | DS1 | DS2 | DS3 |
|------------------|-----|-----|-----|
| 000 to 1050-1999 | off | off | off |
| 000 to 650-1350 | on | off | off |
| 000 to 450-800 | off | on | off |
| 000 to 350-500 | off | off | on |
| 000 to 200-300 | on | on | on |



LPI-5R

4-20 mA