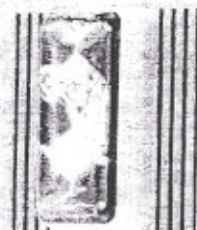


**VISUAL SIGNALS****AdaptaBeacon®
Electronic Horn/Strobe*****Outdoor, Surface Mount*****868STR Series****FEATURES**

- > Low current draw
- > High dB output
- > Terminals for easy wiring
- > Gray flame resistant housing
- > Five lens colors
- > 150 candela strobe (clear lens)
- > Complete with gasket and weatherproof surface back box
- > Engineered thermoplastic housing
- > 1,000 hour strobe tube

The Edwards 868STR AdaptaBeacon series is a bright, low current, high decibel, surface mount, combination electronic horn/strobe for indoor or outdoor use. It has been designed for mounting with the supplied back box. Strobe and horn may be operated independently.

The 868STR mounts to the gray, corrosion resistant weatherproof surface box supplied with the unit. The box measures 5 59/64" (150mm) square by 3 13/32" (87mm) deep.

The 868STR AdaptaBeacon is for outdoor wall mounting in manufacturing sites. Used where a distinctive visual or audible signal is required for timing, scheduling, paging, process control, and general alarm applications.

AGENCY APPROVALS

- > Strobe - UL 1638 Listed
- Horn - UL 464 Listed

D-04

3-112

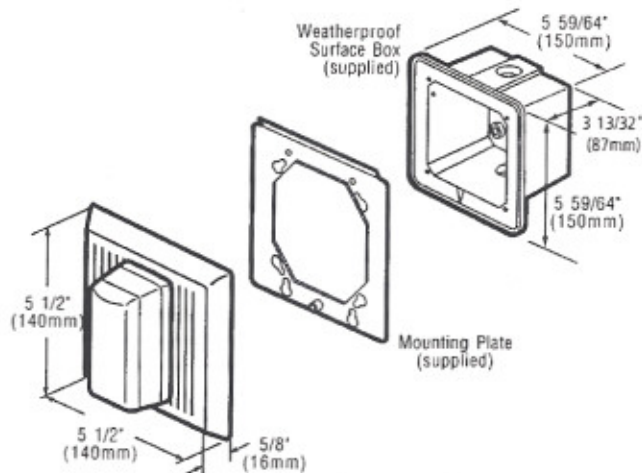
90 Fieldstone Court | Cheshire, CT 06410
Ph: 203.699.3300 | Fx: 203.699.3108
www.edwards-signals.com

**Edwards Signaling
& Security Systems®**

© Copyright 2004 Edwards



TECHNICAL INFORMATION



X 868STR-N5

Catalog Number	868STR(*)-N5	868STR(*)-AQ	
Operating Voltage**	120V AC	24V AC	24V DC
Operating Current - Horn***	21 mA	60 mA	20 mA
Operating Current - Strobe****	90 mA (RMS)	158 mA (RMS)	219 mA (AVG)
Operating Environment	Indoor: 85% relative humidity at 86F (30C); 32F to 120F (0 to 49C) variable ambient Outdoor: 95% relative humidity at 86F (30C); -31F to 150F (-35C to 66C) variable ambient		
Strobe Flash Rate	1 flash per second		
Sound Level Output	90 dBA at 10 ft. (3.05 m) in an Anechoic Chamber		
Mounting	Outdoor Surface Mount		
Light Output UL 1638	Clear Lens - 150 cd Amber Lens - 90 cd Green Lens - 70 cd Red Lens - 21 cd Blue Lens - 20 cd		

*Insert lens color: C - clear, R - red, G - green, B - blue or A - amber

**Operating voltage: -20% to +10% of nominal voltage

***Horn and strobe currents are additive when connected in parallel.

EDWARDS SIGNALING

Installation Instructions for Electronic Horn/Strobe Signal Appliances

Description

The horn/strobes are high quality signals intended for use in general signaling applications. The strobes flash at 1 fps across their full operating voltage range.

It is recommended that these products be installed in accordance with the requirements in the latest edition of national and local electrical codes.

See Table 2 and Figures 1, 5 and 6 for specifications.

Table 1. Electronic Horn/Strobes

Horn/Strobe, Gray, Surface Mount Indoor	867STR(*)-**
Horn/Strobe, Gray, Surface Mount Outdoor	868STR(*)-**
Horn/Strobe, Gray, Flush or Panel Mount Indoor	869STR(*)-**

*Insert lens color. C = Clear, R = Red, G = Green, B = Blue or A = Amber.

**Insert voltage. N5 = 120V AC, AQ = 24V AC/DC

Installation



WARNING

To reduce the risk of shock, always disconnect all power before handling the unit.



WARNING

To reduce the risk of shock, do not tamper with this device when the signal circuit is energized. Disconnect all power and wait 5 minutes for stored energy to dissipate before handling.

1. Select a mounting method as detailed in Figure 1 and install the electrical box using suitable hardware.
 - a. For outdoor applications, install the weatherproof box using four #10 x 1/4" (32 mm) screws and caplugs provided in the enclosed parts bag. Carefully adhere the gasket, part number P-007549-0082 (provided in the enclosed parts bag) to the box as shown in Figure 1.

NOTE: Be sure hook flange is facing outward as shown in Figure 1.

NOTE: The designation "TOP" on boxes denotes orientation of box after installation.

2. Attach mounting plate using two #8-32 screws provided with the surface box or four #8-32 screws provided with weatherproof box. The flush box uses two #8-32 screws (not provided).
3. Bring signaling circuit field wiring into electrical box.
4. Connect signaling circuit field wires to terminals on horn/strobe assembly (Figures 2-4).

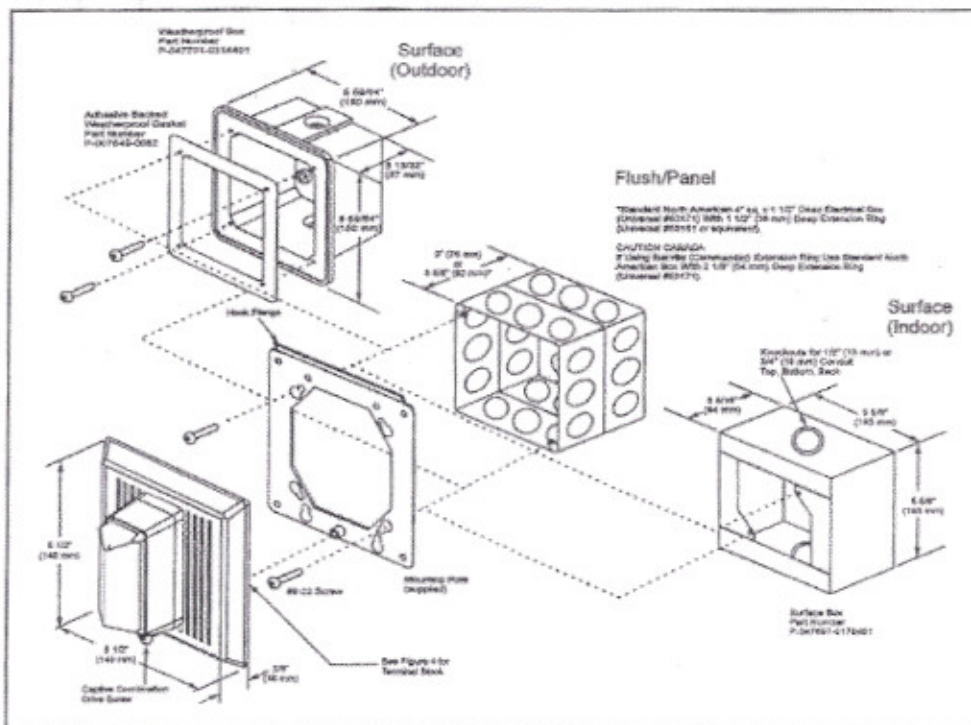


Figure 1. Detailed View

5. Ground in accordance with national and local electrical codes. A green ground screw is provided with both the indoor and outdoor surface boxes.
6. Mount the horn/strobe assembly on the mounting plate (Figure 1).
 - a. The inside of the top of the grille has hinges that pass through cutouts and engage with tabs on the mounting plate. With the bottom of the grille lifted out slightly, place the grille over the mounting plate so that the hinges of the grille are in the mounting cutouts.
 - b. Properly seat the grille by pressing the bottom in.
 - c. Fasten the bottom of the grille to the mounting plate by installing the captive combination drive screw.

7. Apply power and activate the horn/strobe unit to verify that it is operating properly.

Maintenance



CAUTION

Should the unit fail to operate properly, do not attempt repair. Contact the supplier for replacement.

Perform a visual inspection and an operational test twice a year.

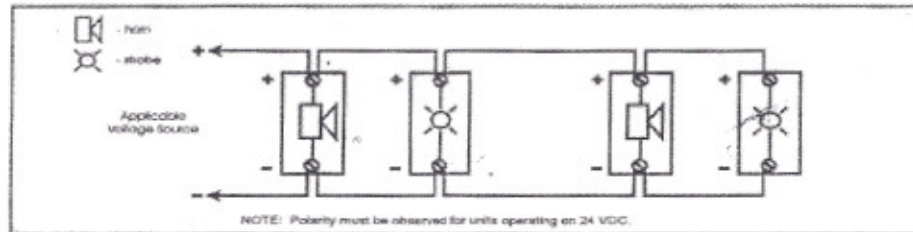


Figure 2. Wiring the Horn and Strobe on Same Circuit

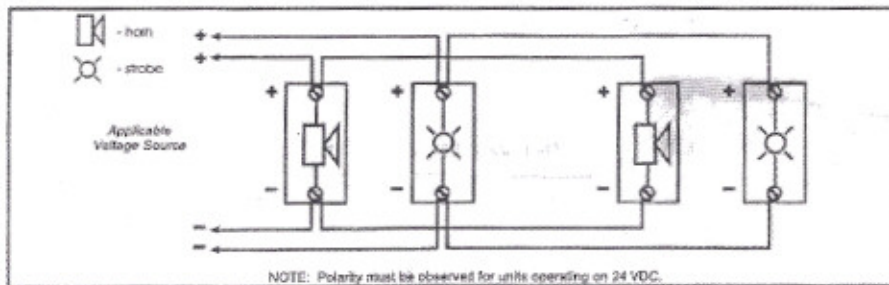


Figure 3. Wiring the Horn and Strobe on Different Circuits

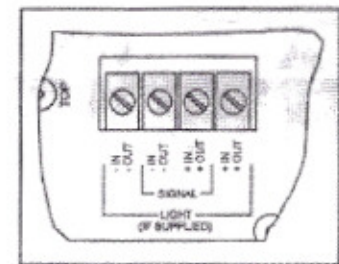


Figure 4. Terminal Block

Table 2. Specifications

	N5 Model	AQ Model	
Operating Voltage*	120V 50/60 Hz	24V 50/60 Hz	24V DC
Operating Current - Horn**	24 mA	72 mA	22 mA
Operating Current - Strobe**	87 mA	390 mA	390 mA
Flash Rate (per second)	approx. 1 fps		
Sound Level Output at 10 ft. (3.05 m) Anechoic Chamber	90 dBA nominal		
Operating Environment	Indoor	85% relative humidity @ 86F (30C); 32 to 120F (0 to 49C) variable ambient temperature	
	Outdoor	95% relative humidity @ 86F (30C); -31 to 150F (-35 to 66C) variable ambient temperature	

*The operating voltage to the horn can be continuous or coded such as march time or a temporal pattern meeting ISO8201 (ANSI S3.41) Audible Emergency Evacuation Signal.

**Horn and strobe currents are additive when connected in parallel.

NOTE: Cat. Nos. 867STR(*)-AQ, 868STR(*)-AQ and 869STR(*)-AQ potentially generate timing signals or pulses above 9 kHz and therefore have been tested and found to comply with the limits for a Class A digital device, pursuant to Part 15 of the FCC Rules. These limits are designed to provide reasonable protection against harmful interference when the equipment is operated in a commercial environment. This equipment generates, uses and can radiate radio frequency energy and, if not installed and used in accordance with the instruction manual, may cause harmful interference to radio communications. Operation of this equipment in a residential area is likely to cause harmful interference in which case the user will be required to correct the interference at his own expense.

CAUTION: Changes or modifications to this equipment not expressly approved by the party responsible for compliance could void the user's authority to operate the equipment.